

SPECIFICATION

- Part No. : **TG.22.0152**
- Product Name : Penta-Band Cellular Connector Mount
Monopole Helical GSM-DCS-PCS-UMTS-CDMA
-GPRS -EDGE-HSPA800MHz ~2200 MHz
- Features : 0dBi Gain RP-SMA(M) Fixed Right Angle plug,
50 Ohms
- ROHS Compliant**



1. Introduction

The TG.22.0152 Penta-band GSM-DCS-PCS-UMTS-CDMA-GPRS-EDGE-HSPA 800MHz to 2200MHz monopole helical antenna is a quality robust antenna with high gain in small form factor.

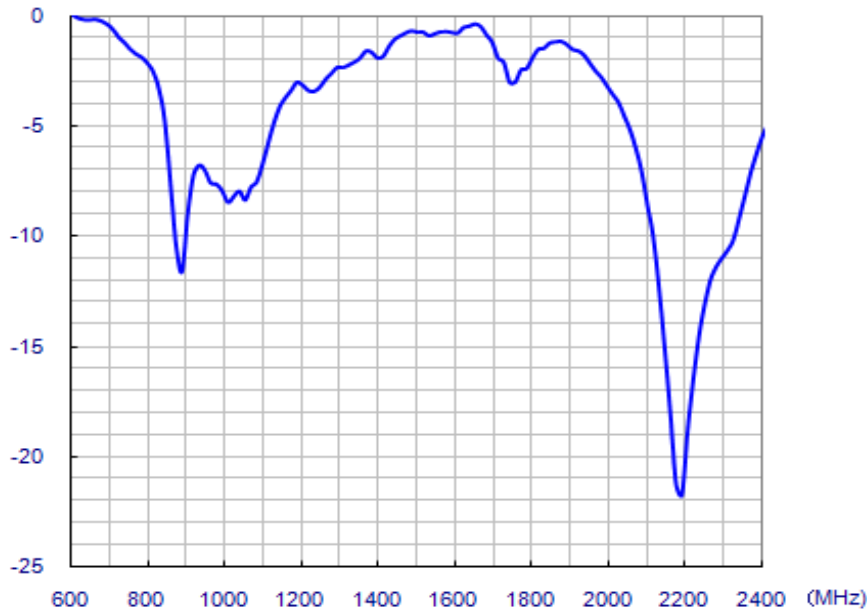
Connection is made via fixed right angle RP-SMA(M) connector with a hardened waterproof PU casing, this antenna is the ideal GSM antenna for telematics devices.

2. Specifications

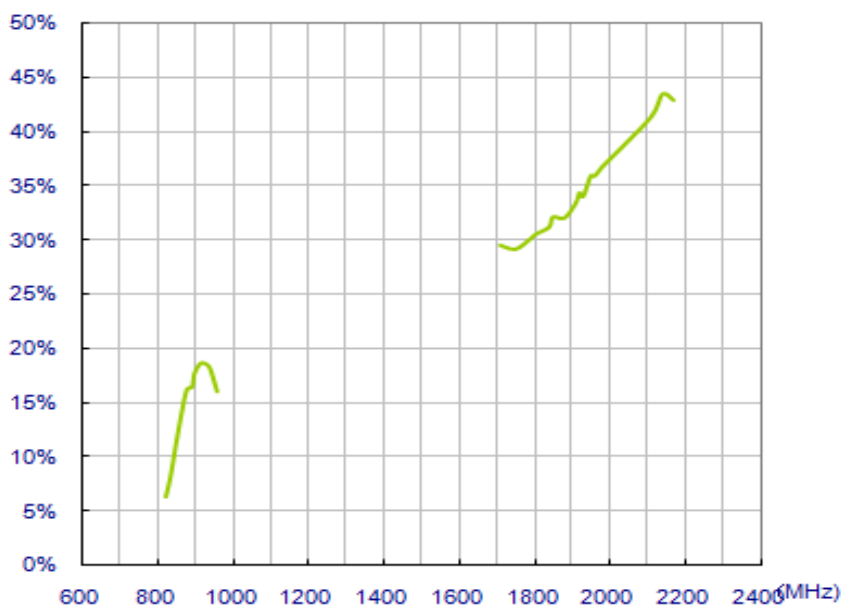
ELECTRICAL	
Frequency Range	800MHz to 2200MHz
Bands	GSM-DCS-PCS-UMTS-CDMA-GPRS-EDGE-HSPA
VSWR	≤ 2.3
Power Handling	20W
Polarization	Linear
Impedance	50 Ohms
Connector	RP-SMA(M)RA
ENVIRONMENTAL	
Temperature	-40°C to +85°C
MECHANICAL	
Radome Colour	Black
Radome Material	Pu
Weight	6g

3. Performance Measurements

3.1. Return Loss (dB)

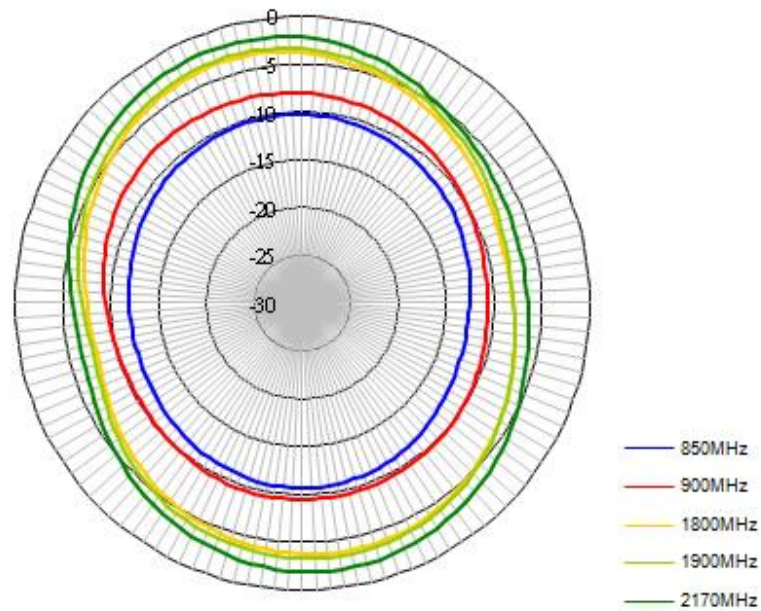


3.2. Efficiency

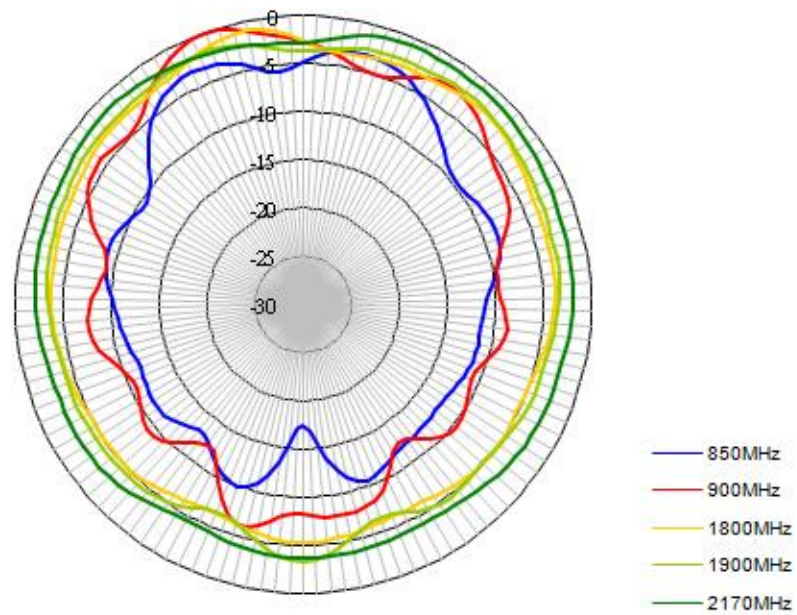


TG.22.0112	
Frequency	Efficiency
824	6.27%
836	8.09%
849	10.76%
869	14.60%
880	16.19%
894	16.45%
900	17.70%
915	18.58%
925	18.62%
940	18.21%
960	16.00%
1575	21.75%
1710	29.50%
1750	29.13%
1785	29.94%
1805	30.52%
1840	31.18%
1850	32.10%
1880	32.01%
1910	33.35%
1920	34.33%
1930	34.01%
1950	35.90%
1960	35.87%
1980	36.71%
1990	37.07%
2110	41.34%
2140	43.44%
2170	42.88%

3.3. Radiation Pattern Data

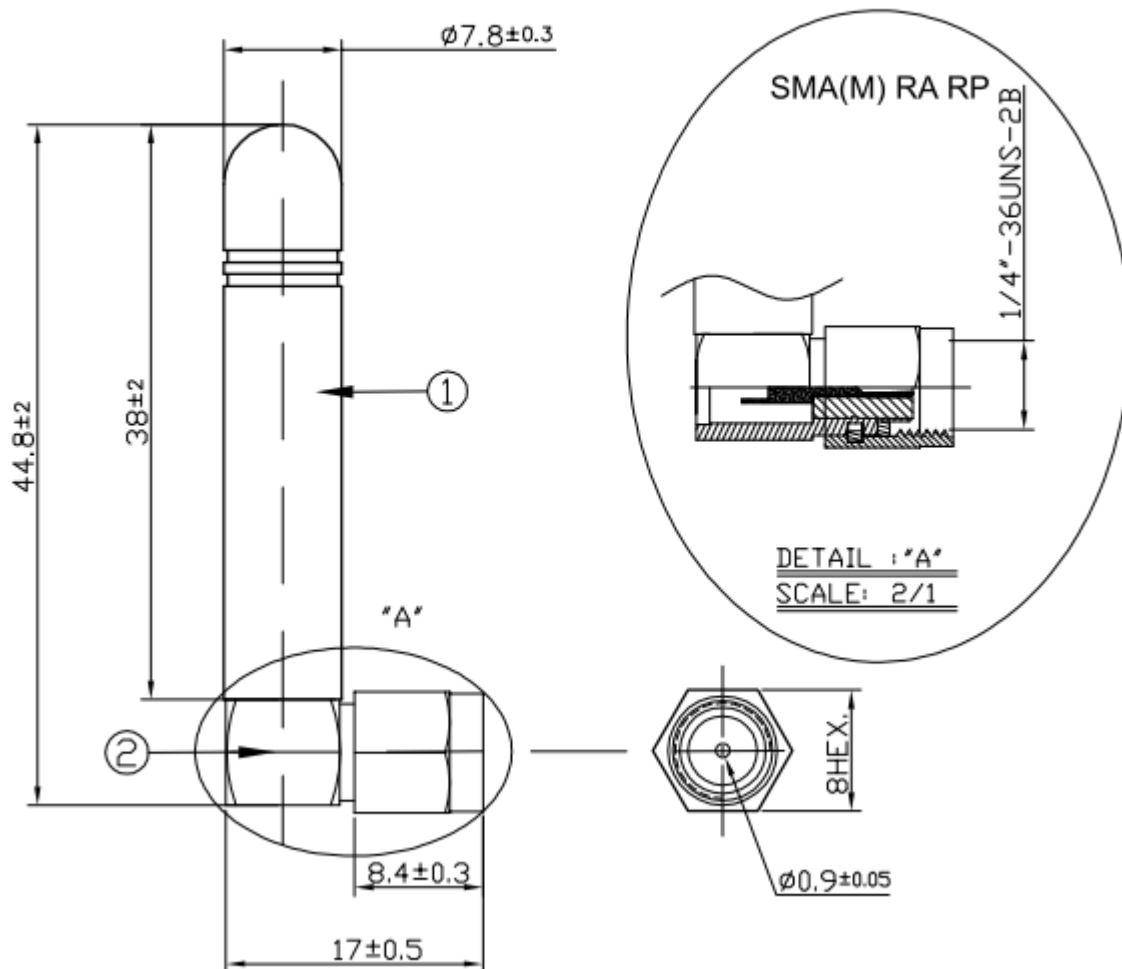


Radiation Pattern, Azimuth Plane (XY)



Radiation Pattern, Aligned at the Connector

4. Mechanical Drawing (Unit: mm)



	Name	P/N	Material	Finish	QTY
①	Antenna Housing	000111F0300XXA	TPEE	Black	1
②	SMA(M) RP RA	200211J020002A	Brass	Gold	1