

T3/DS3/E3/STS-1 Isolation Modules

SMD Single Line



Product Features:

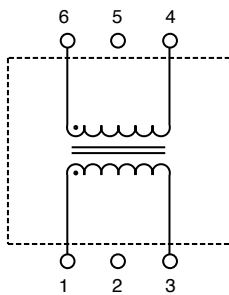
- This standard series of Isolation Modules to meet the return loss requirements of G.703 for T3, DS3, E3 and STS-1 applications.
- UL/EN60950 recognized.
- Non-standard devices are also available. Please contact your local HALO Representative.
- Isolation: 1,500 Vrms



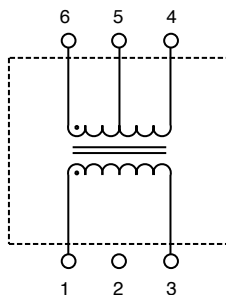
Part Number	Schematic	PRI Pins	Turns Ratio $\pm 2\%$ PRI : SEC	PRI OCL (μH Min.)	LL (μH Max.)	Temp. Range
TG01-0406NSLF	A	1-3	1:1	40	0.12	0 to +70°C
TG04-0406NSLF	C	1-3	1CT:1CT	40	0.12	0 to +70°C
TG07-0206NSLF	B	1-3	1:2CT	19	0.06	0 to +70°C
TG23-0206NSLF	B	1-3	1:2.42CT	19	0.08	0 to +70°C
TG01-0456NSLF	A	1-3	1:1	30	0.12	-40 to +85°C
TG04-0456NSLF	C	1-3	1CT:1CT	45	0.12	-40 to +85°C
TG07-0356NSLF	B	1-3	1:2CT	35	0.12	-40 to +85°C
TG23-0356NSLF	B	1-3	1:2.42CT	35	0.12	-40 to +85°C

Note: LF suffix is RoHS and PB-Free Compliant. RL suffix parts are RoHS compliant (exception 7a, expected to expire July 2016)

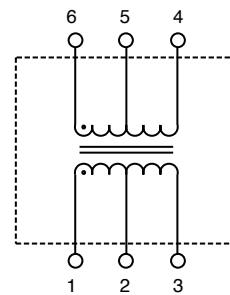
Schematic A



Schematic B

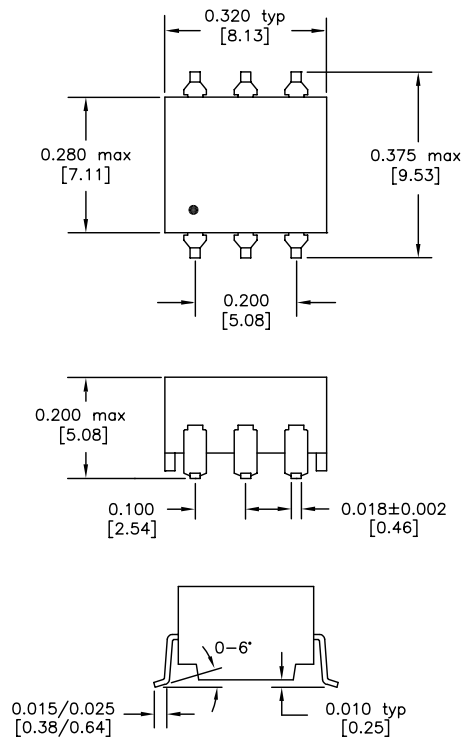


Schematic C



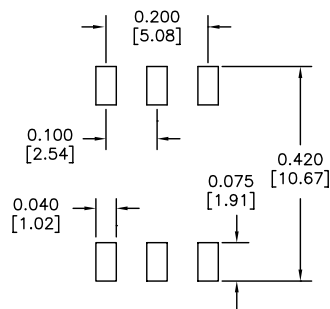
T3/DS3/E3/STS-1 Isolation Modules

SMD Package NS



Dimensions: inches [mm]

Co-Planarity: 0.004 [0.10]



Recommended
Solder Pad Dimensions

US Patent Numbers for SMD Devices

5,656,985 6,297,721 B1
6,297,720 B1 6,320,489 B1
6,344,785 B1 6,662,431 B1

HALO
ELECTRONICS, INC.

2880 Lakeside Drive #116
Santa Clara, CA 95054
(650) 903-3800

www.haloelectronics.com

HALO® Electronics is a leading supplier of high quality communication magnetics including signal transformers, filters, CMR chokes, PoE power transformers, DC/DC converters, and integrated Ethernet connectors. HALO's leading edge technology solutions are manufactured in ISO9001 and ISO14001 factories offering high quality products at a competitive price.

© Copyright 2015 HALO Electronics, Inc. All rights reserved.

Revised 2/2015 Download the latest version at www.haloelectronics.com/pdf/discrete-single-t3.pdf