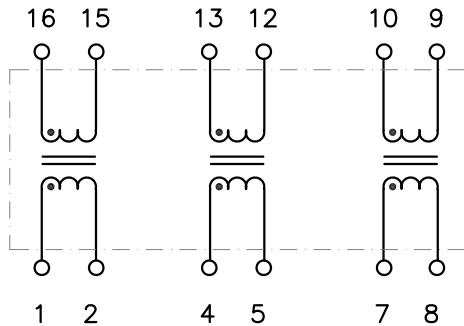


DIMENSIONS: Inch [mm]  
CO-PLANARITY: 0.004 [0.10]  
TOLERANCES: ±0.005 INCH IF NOT SPECIFIED



## PART NO. : TG01-0756PRL

16PIN SMT ISOLATION TRANSFORMERS  
RoHS COMPLIANT  
MAXIMUM PEAK REFLOW TEMPERATURE 245°C  
UL/EN60950 AND DEMKO RECOGNIZED  
OPERATING TEMPERATURE 0/+70°C

## ELECTRICAL SPECIFICATIONS @25°C

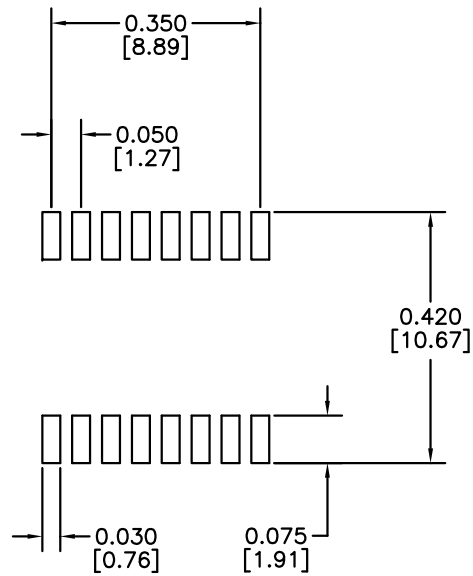
URNS RATIO	1:1 ±5%
ACL(100KHz,0.1Vrms)	75µH typ
DCR	0.2Ω max
Cw/w	10pF max
LL	0.2µH max
ISOLATION	1,500Vrms



**HALO/PBL**

CALIFORNIA, USA  
KOWLOON, HONG KONG  
SINGAPORE

TITLE	TRANSFORMER MODULE	SIGNATURES	DATE	REV.	DESC.	DATE
FOR	DATA LINE ISOLATION	DRAWN	LI ZHI ZHONG	6/15/05	B	UPDATE
PART NO.	TG01-0756PRL	CHECKED	LEI KEONG	1/14/15	C	PROD. RELEASE
SCALE	NONE	APPROVED	PETER LU	1/14/15	D	REV. REFLOW TEMP.
PAGE	1 OF 2	FILE	TG01-0756PRL.DWG	E	UPDATE	1/14/15



RECOMMENDED SOLDER PAD DIMENSIONS  
 DIMENSIONS: Inch [mm]

<b>HALO/PBL</b>	TITLE TRANSFORMER MODULE		SIGNATURES		DATE	REV.	DESC.	DATE
	FOR DATA LINE ISOLATION		DRAWN LI ZHI ZHONG		6/15/05	B	UPDATE	6/27/05
	PART NO. TG01-0756PRL		CHECKED LEI KEONG		1/14/15	C	PROD. RELEASE	8/10/05
CALIFORNIA, USA KOWLOON, HONG KONG SINGAPORE	SCALE NONE		APPROVED PETER LU		1/14/15	D	REV. REFLOW TEMP.	10/7/08
	PAGE	2 OF 2	FILE TG01-0756PRL.DWG		E	UPDATE	1/14/15	