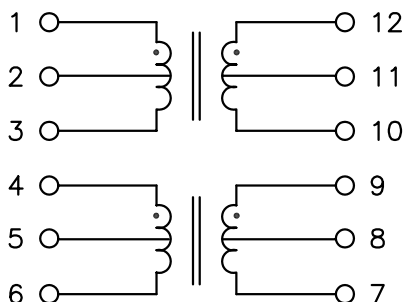


DIMENSIONS: Inch [mm]  
CO-PLANARITY: 0.004 [0.10]  
TOLERANCES: ±0.005 INCH IF NOT SPECIFIED



**PART NO. : TG04-1505NCRL**

T1/E1/CEPT/ISDN-PRI TRANSFORMER MODULE

12PIN SURFACE MOUNT PACKAGE

LEAD-FREE/ROHS COMPLIANT

COMPATIBLE TO LEAD-FREE SOLDERING PROCESS  
CONDITION PER IPC/JEDEC J-STD-020C

EXTENDED OPERATING TEMPERATURE -40/+85°C

**ELECTRICAL SPECIFICATIONS @25° C**

TURNS RATIO

P1-3:P12-10

1CT:1CT±2%

P4-6:P9-7

1CT:1CT±2%

OCL P1-3,P4-6

1.5mH typ

DCR P1-3,P4-6

0.9Ω max

Cw/w

35pF max

LL P1-3,P4-6

0.5μH max

CROSSTALK 0.5-5MHz

-60dB typ

ISOLATION

1,500Vrms

**HALO/PBL**

CALIFORNIA, USA  
KOWLOON, HONG KONG  
SINGAPORE

TITLE ISOLATION TRANSFORMERS

FOR T1/E1 (1:1,1:1)

PART NO. TG04-1505NCRL

SCALE NONE PAGE 1 OF 1

SIGNATURES

DRAWN PETER LU

CHECKED

APPROVED

FILE 1505NCRL.DWG

DATE

1/4/06

REV.

A

DESC.

DATE