

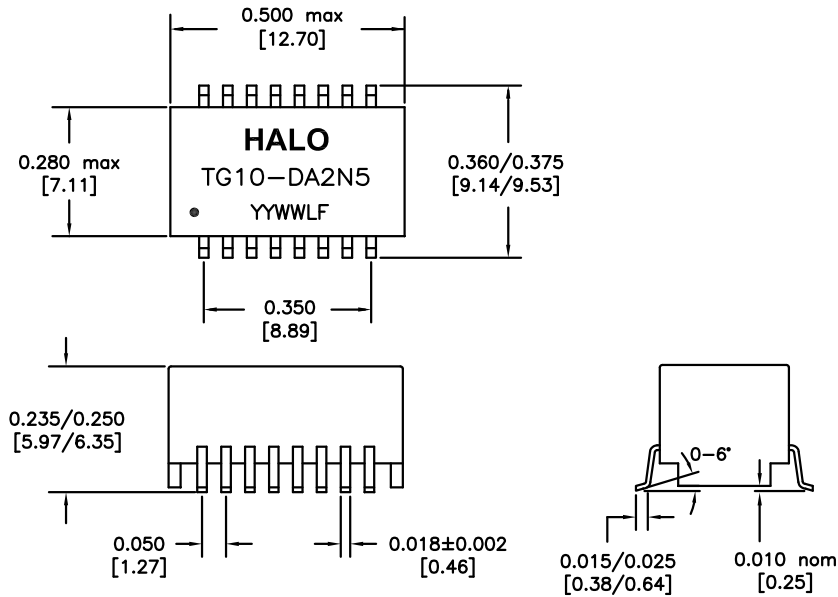


PART NO. : TG10-DA2N5LF

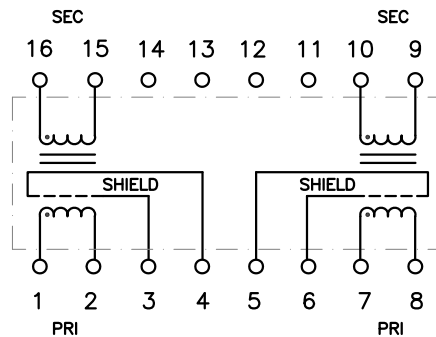
16PIN SMT ISOLATION MODULE
 DESIGNED FOR CIRRUS LOGIC DIGITAL AUDIO
 INTERFACE APPLICATIONS
 LEAD-FREE/RoHS COMPLIANT
 COMPATIBLE TO LEAD-FREE SOLDERING PROCESS
 CONDITION PER IPC/JEDEC J-STD-020C
 UL/EN60950 AND DEMKO RECOGNIZED
 EXTENDED OPERATING TEMPERATURE -40/+85°C

ELECTRICAL SPECIFICATIONS @25°C

TURNS RATIO P1-2:P16-15 P7-8:P10-9	1:1 ±2% 1:1 ±2%
OCL (100KHz,0.1V) P1-2,P7-8	750µH nom
DCR P1-2,P7-8	0.5Ω max
LL P1-2,P7-8	1.0µH max
Cw/w P1-16,P7-10 (GND P3&P6)	18pF max 9pF max
BANDWIDTH (Nominal)	10kHz-200MHz
ISOLATION PRI,SHIELD - SEC PRI - SHIELD	1,500Vrms 500Vrms



DIMENSIONS: Inch [mm]
 CO-PLANARITY: 0.004 [0.10]
 TOLERANCES: ±0.005 INCH IF NOT SPECIFIED



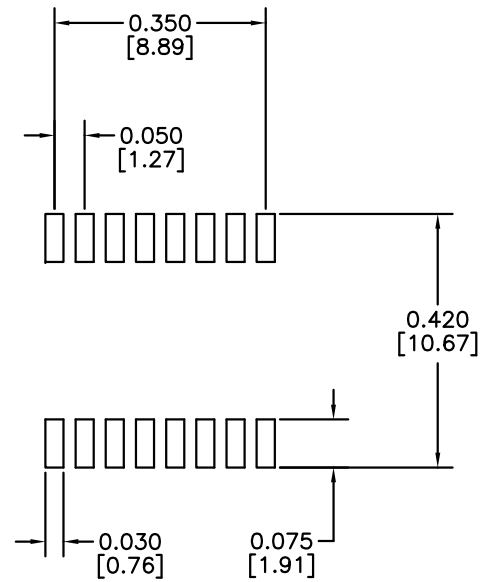
ONLY ONE END OF THE SHILED CAN BE GROUNDED

HALO/PBL

CALIFORNIA, USA
 KOWLOON, HONG KONG
 SINGAPORE

TITLE	ISOLATION MODULE	SIGNATURES	DATE	REV.	DESC.	DATE
FOR	CIRRUS LOGIC DIGITAL AUDIO	DRAWN	LI ZHI ZHONG	4/27/16	A	PROD. RELEASE
PART NO.	TG10-DA2N5LF	CHECKED	LEI KEONG	8/8/16	B	ADD BW SPEC.
SCALE	NONE	APPROVED	PETER LU	8/8/16	C	REVISE CKT
PAGE	1 OF 2	FILE	DA2N5LF.DWG	D	UPDATE DESC.	8/8/16





RECOMMENDED SOLDER PAD DIMENSIONS
DIMENSIONS: Inch [mm]

HALO/PBL

CALIFORNIA, USA
KOWLOON, HONG KONG
SINGAPORE

TITLE	ISOLATION MODULE		SIGNATURES	DATE	REV.	DESC.	DATE
FOR	CIRRUS LOGIC DIGITAL AUDIO		DRAWN LI ZHI ZHONG	4/27/16	A	PROD. RELEASE	4/27/16
PART NO.	TG10-DA2N5LF		CHECKED LEI KEONG	8/8/16	B	ADD BW SPEC.	5/13/16
SCALE	NONE	PAGE 2 OF 2	APPROVED PETER LU	8/8/16	C	REVISE CKT	5/17/16
			FILE DA2N5LF.DWG		D	UPDATE DESC.	8/8/16