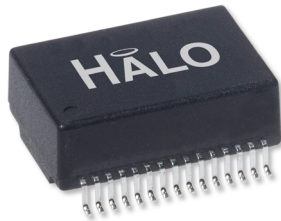


10G - 5 Channel Transformer



SMD 5 Channel 10GBASE-T 30-Pin Single Port Isolation Modules



Product Features:

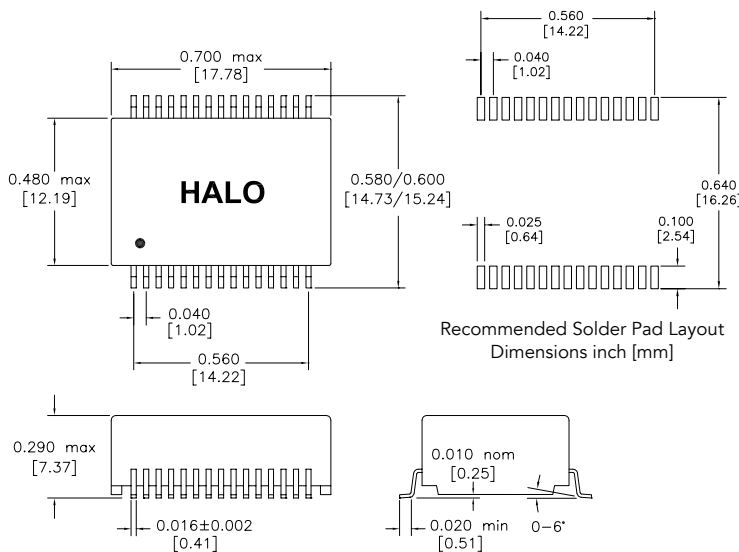
- 10GBASE-T Ethernet Transformer/CMR Choke
- Additional Channel for CMC Noise Detection
- IEEE802.3an Compliant
- UL/EN60950 Recognized
- 100% Electrical Testing
- 1500Vrms Hi-Pot
- Patented Open Frame Construction

Part Number	Temp. Range	Crosstalk (min)			Return Loss (min)				DCR (max)
		1 - 100MHz	100 - 500MHz	1-40MHz	100MHz	200MHz	400MHz	500MHz	
TG10G-S105NJ30LF	0 to +85°C	-40dB	-30dB	-18dB	-13dB	-10dB	-7dB	-6dB	0.5Ω

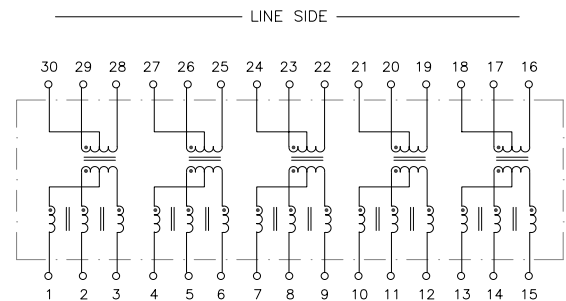
Notes:

1) Please contact the factory (info@haloelectronics.com) or representative for individual datasheets or additional information.

Package Dimensions



Circuit Diagram



Patented Construction

US Patent Numbers:

5,656,985 6,297,721 B1
 6,297,720 B1 6,320,489 B1
 6,344,785 B1 6,662,431 B1



2880 Lakeside Drive #116
 Santa Clara, CA 95054
 (650) 903-3800
www.haloelectronics.com

HALO® Electronics is a leading supplier of high quality communication magnetics including signal transformers, filters, CMR chokes, PoE power transformers, DC/DC isolation modules, and integrated Ethernet connectors. HALO's high quality and competitively priced leading edge technology solutions are manufactured in ISO9001 and ISO14001 factories.

© Copyright 2016 HALO Electronics, Inc. All rights reserved.

Revised 11/2016REV1. Download the latest version at <http://www.haloelectronics.com/pdf/discrete-10gbaset-5ch.pdf>