

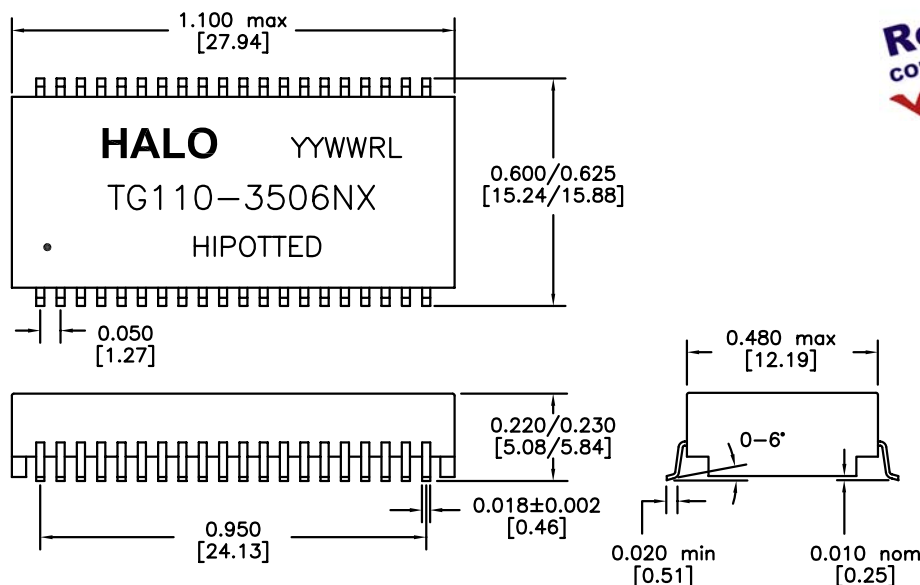


PART NO. : TG110-3506NXRL

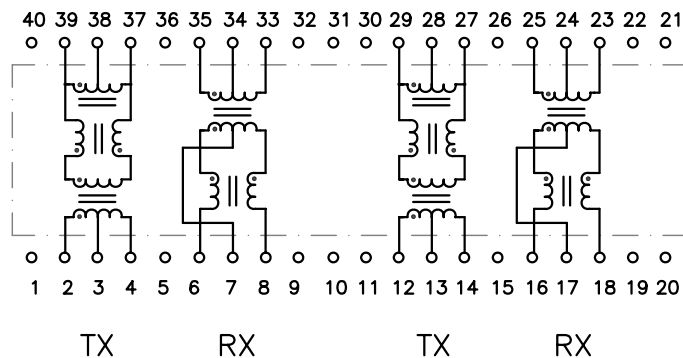
DUAL PORT 10/100BASE-TX ISOLATION MODULE
LEAD-FREE/RoHS COMPLIANT
COMPATIBLE TO LEAD-FREE SOLDERING PROCESS
CONDITION PER IPC/JEDEC J-STD-020C
OPERATING TEMPERATURE 0/+70°C

ELECTRICAL SPECIFICATIONS @25° C

TURNS RATIO
 TX P2-4:P39-37,P12-14:P29-27 1CT:1CT ±3%
 RX P6-8:P35-33,P16-18:P25-23 1CT:1CT ±3%
 OCL (100KHz,0.1Vrms,8mA)
 P2-4,P12-14,P23-25,P33-35 350µH min
 DCR
 P2-4,P12-14,P23-25,P33-35 0.9Ω max
 LL (1MHz) 0.4µH max
 Cw/w 15pF typ
 INSERTION LOSS
 0.1-100MHz -1.1dB max
 RETURN LOSS
 0.5-30MHz -18dB min
 40MHz -15.5dB min
 50MHz -13.6dB min
 60-80MHz -12dB min
 CROSSTALK 0.1-100MHz -40dB typ
 CMR 0.1-100MHz -40dB typ
 ISOLATION 1,500Vrms



DIMENSIONS: Inch [mm]
 CO-PLANARITY: 0.004 [0.10]
 TOLERANCES: ±0.005 INCH IF NOT SPECIFIED



HALO/PBL

CALIFORNIA, USA
KOWLOON, HONG KONG
SINGAPORE

TITLE	ISOLATION MODULE		SIGNATURES	DATE	REV.	DESC.	DATE
	FOR	FAST ETHERNET	DRAWN PETER LU	5/10/06	B	ADD DCR PIN NO.	6/1/06
PART NO.	TG110-3506NXRL		CHECKED				
SCALE	NONE	PAGE	1 OF 1	APPROVED			
				FILE	3506NXRL.DWG		