



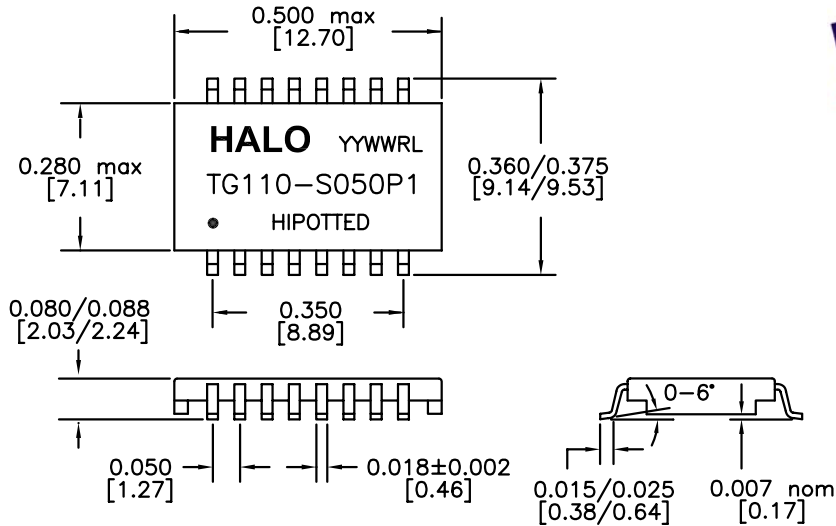
**PART NO. : TG110-S050P1**

16PIN PCMCIA PACKAGE 10/100BASE-T ISOLATION  
MODULE WITH THREE WIRE COMMON MODE CHOKE  
FOR IMPROVED COMMON MODE TERMINATION

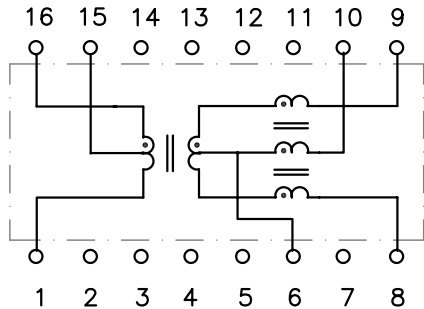
LEAD-FREE/RoHS COMPLIANT

COMPATIBLE TO LEAD-FREE SOLDERING PROCESS  
CONDITION PER IPC/JEDEC J-STD-020C

OPERATING TEMPERATURE 0/+70°C



DIMENSIONS: Inch [mm]  
CO-PLANARITY: 0.004 [0.10]  
TOLERANCES: ±0.005 INCH IF NOT SPECIFIED



**ELECTRICAL SPECIFICATIONS @25° C**

URNS RATIO	1CT:1CT ±3%
OCL (100KHz,0.1Vrms)	350µH min
DCR P1-16	0.9Ω max
LL (1MHz)	0.4µH max
Cw/w	15pF typ
INSERTION LOSS	
0.1-100MHz	-1.1dB max
RETURN LOSS	
0.5-30MHz	-18dB min
40MHz	-15.5dB min
50MHz	-13.6dB min
60-80MHz	-10dB min
CMR 0.1-100MHz	-30dB typ
ISOLATION	1,500 Vrms

**HALO/PBL**

CALIFORNIA, USA  
KOWLOON, HONG KONG  
SINGAPORE

TITLE	ISOLATION TRANSFORMER	SIGNATURES	DATE	REV.	DESC.	DATE
FOR	FAST ETHERNET	DRAWN PETER LU	2/16/06	A		
PART NO.	TG110-S050P1RL	CHECKED				
SCALE	NONE	APPROVED				
PAGE	1 OF 1	FILE	S050P1RL.DWG			