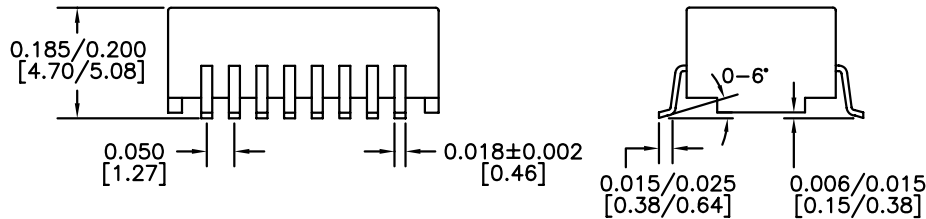
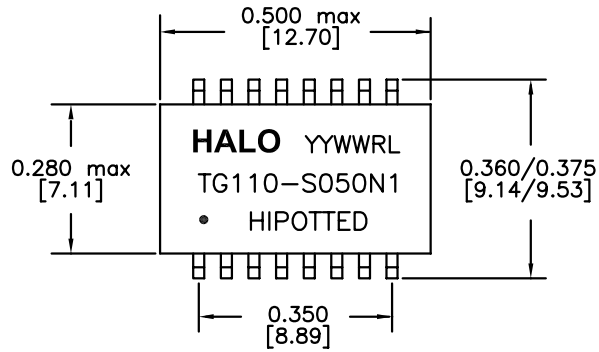


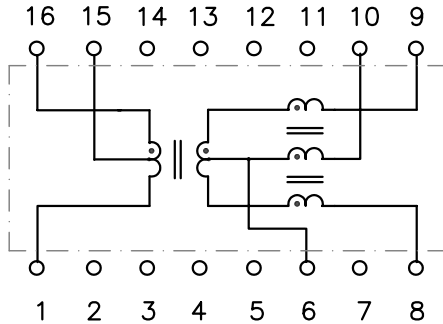


PART NO. : TG110-S050N1RL

16PIN SMT ISOLATION MODULE FOR 10/100BASE-TX
IEEE802.3u APPLICATIONS
LEAD-FREE/RoHS COMPLIANT
COMPATIBLE TO LEAD-FREE SOLDERING PROCESS
CONDITION PER IPC/JEDEC J-STD-020C
OPERATING TEMPERATURE 0/+70°C



DIMENSIONS: Inch [mm]
CO-PLANARITY: 0.004 [0.10]
TOLERANCES: ±0.005 INCH IF NOT SPECIFIED



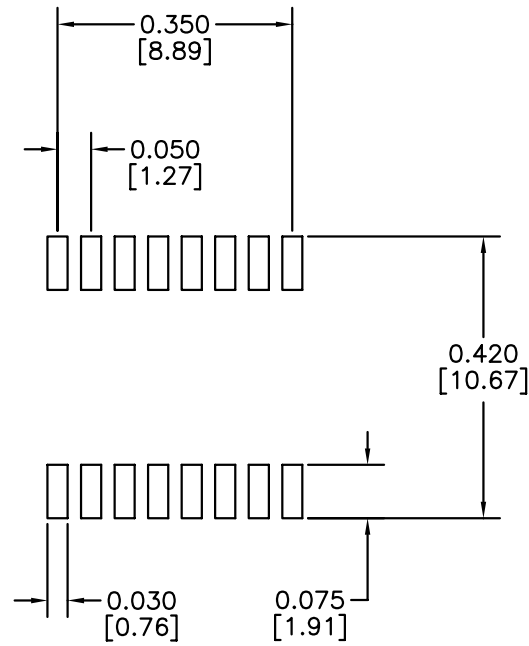
ELECTRICAL SPECIFICATIONS @25° C

TURNS RATIO P1-16:P8-9	1CT:1CT ±3%
OCL (100KHz,0.1Vrms,8mA) P1-16	350µH min
DCR P1-16	0.9Ω max
LL P1-16	0.4µH max
Cw/w	35pF max
INSERTION LOSS 0.1-100MHz	-1.1dB max
RETURN LOSS 0.5-30MHz	-18dB min
40MHz	-15.5dB min
50MHz	-13.6dB min
60-80MHz	-12dB min
CMR 0.1-100MHz	-35dB typ
ISOLATION	1,500Vrms

HALO/PBL

CALIFORNIA, USA
KOWLOON, HONG KONG
SINGAPORE

TITLE	ISOLATION TRANSFORMER		SIGNATURES	DATE	REV.		
FOR	FAST ETHERNET		DRAWN	PETER LU	2/16/06	A	
PART NO.	TG110-S050N1RL		CHECKED				
SCALE	NONE	PAGE	1 OF 2	APPROVED			
				FILE	S050N1RL.DWG		



RECOMMENDED SOLDER PAD DIMENSIONS
 DIMENSIONS: Inch [mm]

HALO/PBL	TITLE ISOLATION TRANSFORMER		SIGNATURES		DATE	REV.	
	FOR FAST ETHERNET		DRAWN PETER LU		2/16/06	A	
CALIFORNIA, USA KOWLOON, HONG KONG SINGAPORE	PART NO. TG110-S050N1RL		CHECKED				
	SCALE NONE	PAGE 2 OF 2	APPROVED				
			FILE S050N1RL.DWG				