



PART NO. : TG110-S050P1

16PIN PCMCIA PACKAGE 10/100BASE-T ISOLATION
 MODULE WITH THREE WIRE COMMON MODE CHOKE
 FOR IMPROVED COMMON MODE TERMINATION

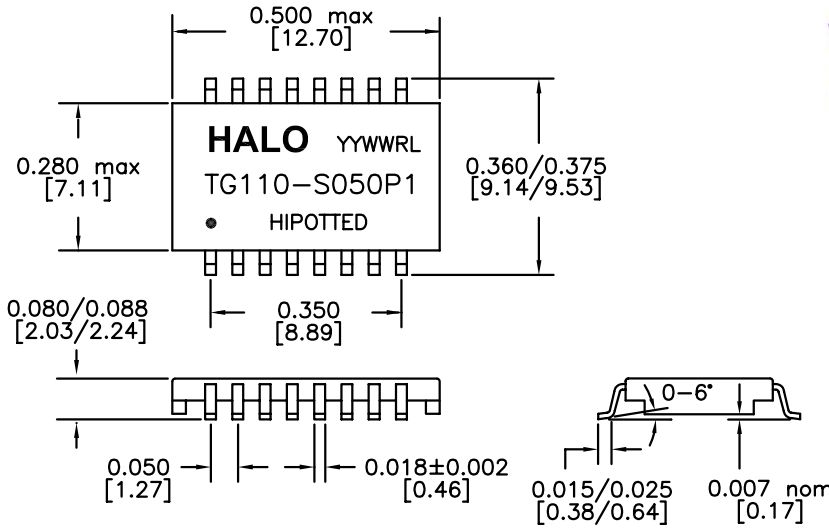
LEAD-FREE/RoHS COMPLIANT

COMPATIBLE TO LEAD-FREE SOLDERING PROCESS
 CONDITION PER IPC/JEDEC J-STD-020C

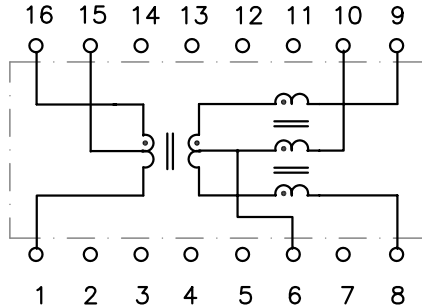
OPERATING TEMPERATURE 0/+70°C

ELECTRICAL SPECIFICATIONS @25° C

URNS RATIO	1CT:1CT ±3%
OCL (100KHz,0.1Vrms)	350µH min
DCR P1-16	0.9Ω max
LL (1MHz)	0.4µH max
Cw/w	15pF typ
INSERTION LOSS	
0.1-100MHz	-1.1dB max
RETURN LOSS	
0.5-30MHz	-18dB min
40MHz	-15.5dB min
50MHz	-13.6dB min
60-80MHz	-10dB min
CMR 0.1-100MHz	-30dB typ
ISOLATION	1,500 Vrms



DIMENSIONS: Inch [mm]
 CO-PLANARITY: 0.004 [0.10]
 TOLERANCES: ±0.005 INCH IF NOT SPECIFIED



HALO/PBL

CALIFORNIA, USA
 KOWLOON, HONG KONG
 SINGAPORE

TITLE	ISOLATION TRANSFORMER		SIGNATURES	DATE	REV.	DESC.	DATE
	FOR	FAST ETHERNET	DRAWN PETER LU	2/16/06	A		
	PART NO.	TG110-S050P1RL	CHECKED				
	SCALE	NONE	APPROVED				
	PAGE	1 OF 1	FILE	S050P1RL.DWG			