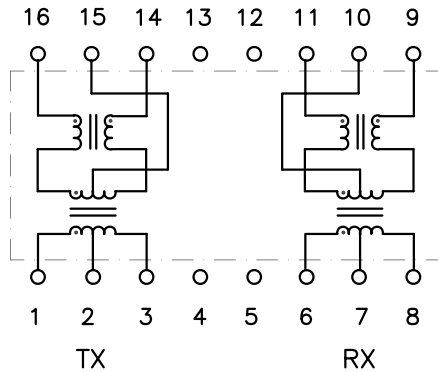


DIMENSIONS: Inch [mm]
CO-PLANARITY: 0.004 [0.10]
TOLERANCES: ±0.005 INCH IF NOT SPECIFIED



PART NO. : TG110-S141N2RL

16PIN SMT ISOLATION MODULE FOR 10/100BASE-TX IEEE802.3u APPLICATIONS

RoHS COMPLIANT

COMPATIBLE TO LEAD-FREE SOLDERING PROCESS
CONDITION PER IPC/JEDEC J-STD-020C

OPERATING TEMPERATURE 0/+70°C

ELECTRICAL SPECIFICATIONS @25° C

URNS RATIO

TX P1-3:P16-14 1CT:1.41CT ±3%
RX P6-8:P11-9 1CT:1CT ±3%

OCL (100KHz,0.1Vrms,8mA)
P16-14,P11-9

350µH min

DCR P1-3,P6-8

0.9Ω max

LL P1-3,P6-8

0.4µH max

Cw/w

35pF max

TYPICAL RETURN LOSS

0.5-30MHz -18dB min
40MHz -15.5dB min
50MHz -13.6dB min
60-80MHz -10dB min

CROSSTALK 0.1-100MHz

-40dB min

CMR 0.1-100MHz

-40dB typ

ISOLATION

1,500Vrms

HALO/PBL

CALIFORNIA, USA
KOWLOON, HONG KONG
SINGAPORE

TITLE	TRANSFORMER "ULTRA" SERIES		SIGNATURES	DATE	REV.	DESC.	DATE	
	FOR	FAST ETHERNET	DRAWN	PETER LU	7/28/04	A	FIRST ISSUE	7/28/04
	PART NO.	TG110-S141N2RL	CHECKED	LEI KEONG	7/28/04			
	SCALE	NONE	PAGE	1 OF 1	APPROVED	PETER LU	7/28/04	
			FILE	S141N2RL.DWG				