



PART NO. : TG110-S177N2LF

16PIN SMT 10/100BASE-TX ISOLATION MODULE
FOR IEEE802.3u APPLICATIONS

Pb-FREE/RoHS COMPLIANT

COMPATIBLE TO LEAD-FREE SOLDERING PROCESS
CONDITION PER IPC/JEDEC J-STD-020C

OPERATING TEMPERATURE 0/+70°C

ELECTRICAL SPECIFICATIONS @25°C

URNS RATIO

P1-3:P16-14

1.41CT:1CT ±3%

P6-8:P11-9

1.41CT:1CT ±3%

OCL (100KHz,0.1Vrms,8mA)

P1-3,P6-8

350µH min

DCR P1-3,P6-8

0.9Ω max

LL P1-3,P6-8

0.6µH max

Cw/w

30pF max

RETURN LOSS

0.5-30MHz

-18dB min

40MHz

-15dB min

50MHz

-13dB min

60-80MHz

-10dB min

CROSSTALK 0.1-100MHz

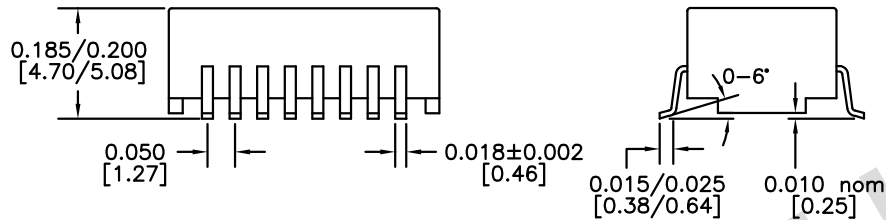
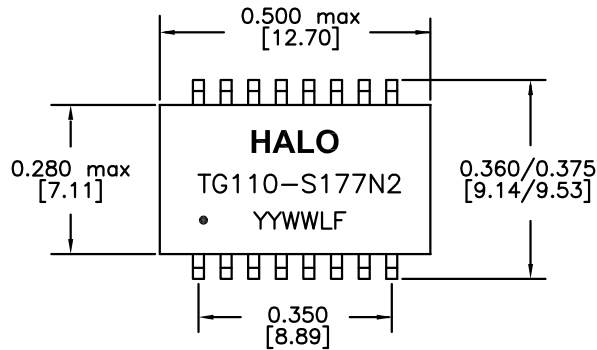
-40dB typ

CMR 0.1-100MHz

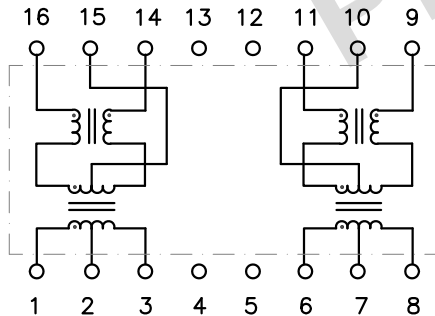
-40dB typ

ISOLATION

1,500Vrms



DIMENSIONS: Inch [mm]
CO-PLANARITY: 0.004 [0.10]
TOLERANCES: ±0.005 INCH IF NOT SPECIFIED



HALO/PBL

CALIFORNIA, USA
KOWLOON, HONG KONG
SINGAPORE

TITLE	TRANSFORMER "ULTRA" SERIES		SIGNATURES	DATE	REV.	DESC.	DATE
FOR	FAST ETHERNET		DRAWN	LI ZHI ZHONG	7/10/12	A	FIRST ISSUE
PART NO.	TG110-S177N2LF		CHECKED	LEI KEONG	7/10/12		
SCALE	NONE	PAGE	1 OF 1	APPROVED	PETER LU	7/10/12	
				FILE	S177N2LF.DWG		

