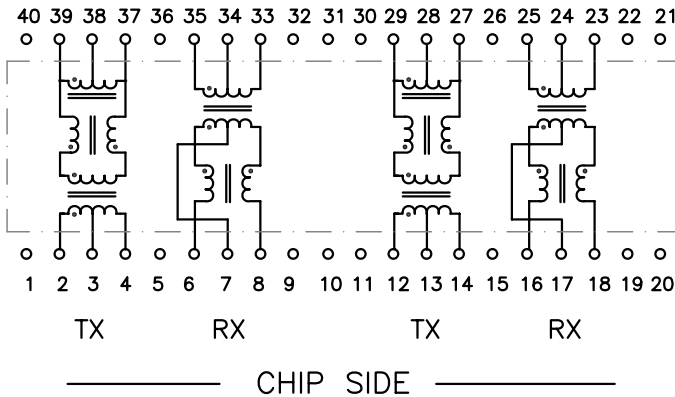


DIMENSIONS: Inch [mm]
CO-PLANARITY: 0.004 [0.10]
TOLERANCES: ±0.005 INCH IF NOT SPECIFIED



PART NO. : TG110-S220NXRL

DUAL-PORT 10/100BASE-TX ISOLATION MODULE
RoHS COMPLIANT
COMPATIBLE TO LEAD-FREE SOLDERING PROCESS
CONDITION PER IPC/JEDEC J-STD-020C
OPERATING TEMPERATURE 0/+70°C

ELECTRICAL SPECIFICATIONS @ 25° C

TURNS RATIO
 TX CHIP:LINE 2CT:1CT ±3%
 RX CHIP:LINE 1CT:1CT ±3%
 OCL (100KHz,0.1Vrms,8mA)
 CHIP SIDE 350µH min
 DCR
 P2-4,P12-14,P25-23,P35-33 0.9Ω max
 LL (1MHz)
 P25-23,P29-27,P35-33,P39-37 0.4µH max
 Cw/w 30pF max
 CROSSTALK 0.1-100MHz -40dB typ
 CMR 0.1-100MHz -40dB typ
 ISOLATION 1,500Vrms

HALO/PBL

CALIFORNIA, USA
KOWLOON, HONG KONG
SINGAPORE

TITLE	ISOLATION MODULE		SIGNATURES	DATE	REV.	DESC.	DATE
FOR	FAST ETHERNET		DRAWN	PETER LU	8/9/06	B	PROD. RELEASE 8/22/06
PART NO.	TG110-S220NXRL		CHECKED	LEI KEONG	8/22/06		
SCALE	NONE	PAGE	1 OF 1	APPROVED	PETER LU	8/22/06	
				FILE	S220NXRL.DWG		