

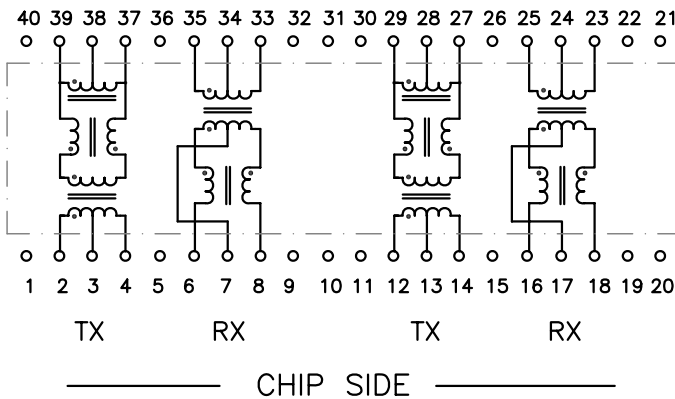
**PART NO. : TG110-S220NXRL**

DUAL-PORT 10/100BASE-TX ISOLATION MODULE  
RoHS COMPLIANT  
COMPATIBLE TO LEAD-FREE SOLDERING PROCESS  
CONDITION PER IPC/JEDEC J-STD-020C  
OPERATING TEMPERATURE 0/+70°C

**ELECTRICAL SPECIFICATIONS @ 25° C**

TURNS RATIO TX CHIP:LINE RX CHIP:LINE	2CT:1CT ±3% 1CT:1CT ±3%
OCL (100KHz,0.1Vrms,8mA) CHIP SIDE	350µH min
DCR P2-4,P12-14,P25-23,P35-33	0.9Ω max
LL (1MHz) P25-23,P29-27,P35-33,P39-37	0.4µH max
Cw/w	30pF max
CROSSTALK 0.1-100MHz	-40dB typ
CMR 0.1-100MHz	-40dB typ
ISOLATION	1,500Vrms

DIMENSIONS: Inch [mm]  
CO-PLANARITY: 0.004 [0.10]  
TOLERANCES: ±0.005 INCH IF NOT SPECIFIED



**HALO/PBL**

CALIFORNIA, USA  
KOWLOON, HONG KONG  
SINGAPORE

TITLE	ISOLATION MODULE	SIGNATURES	DATE	REV.	DESC.	DATE
FOR	FAST ETHERNET	DRAWN	PETER LU	8/9/06	B	PROD. RELEASE 8/22/06
PART NO.	TG110-S220NXRL	CHECKED	LEI KEONG	8/22/06		
SCALE	NONE	APPROVED	PETER LU	8/22/06		
PAGE	1 OF 1	FILE	S220NXRL.DWG			