

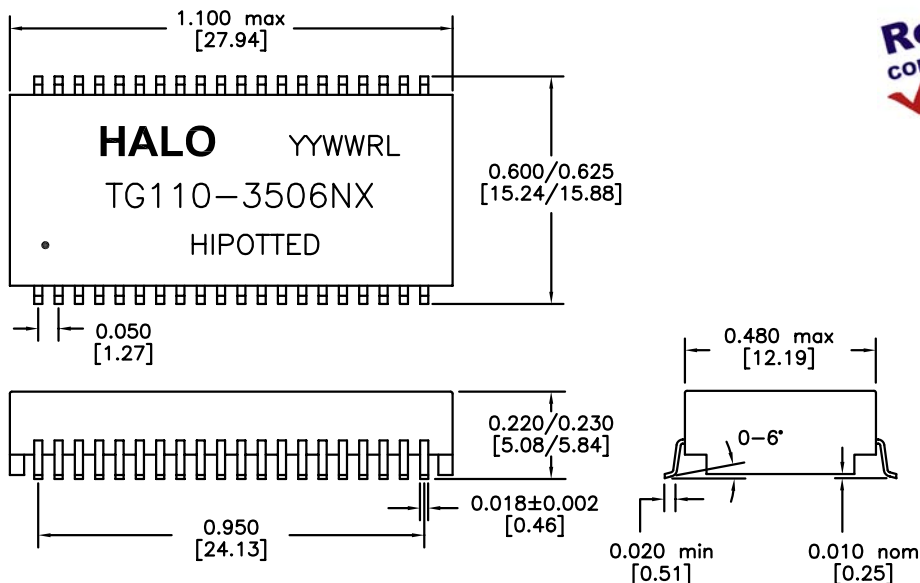


**PART NO. : TG110-3506NXRL**

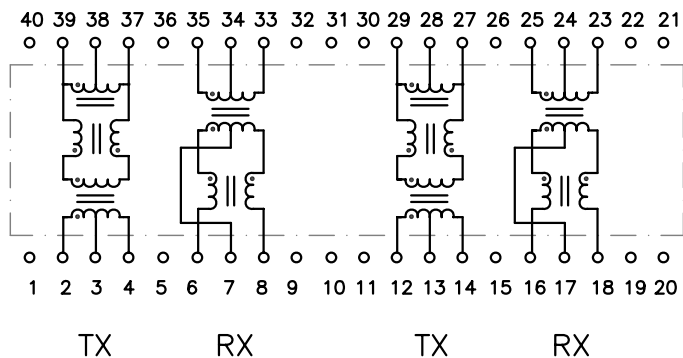
DUAL PORT 10/100BASE-TX ISOLATION MODULE  
LEAD-FREE/RoHS COMPLIANT  
COMPATIBLE TO LEAD-FREE SOLDERING PROCESS  
CONDITION PER IPC/JEDEC J-STD-020C  
OPERATING TEMPERATURE 0/+70°C

**ELECTRICAL SPECIFICATIONS @25° C**

TURNS RATIO  
 TX P2-4:P39-37,P12-14:P29-27 1CT:1CT ±3%  
 RX P6-8:P35-33,P16-18:P25-23 1CT:1CT ±3%  
 OCL (100KHz,0.1Vrms,8mA)  
 P2-4,P12-14,P23-25,P33-35 350µH min  
 DCR  
 P2-4,P12-14,P23-25,P33-35 0.9Ω max  
 LL (1MHz) 0.4µH max  
 Cw/w 15pF typ  
 INSERTION LOSS  
 0.1-100MHz -1.1dB max  
 RETURN LOSS  
 0.5-30MHz -18dB min  
 40MHz -15.5dB min  
 50MHz -13.6dB min  
 60-80MHz -12dB min  
 CROSSTALK 0.1-100MHz -40dB typ  
 CMR 0.1-100MHz -40dB typ  
 ISOLATION 1,500Vrms



DIMENSIONS: Inch [mm]  
 CO-PLANARITY: 0.004 [0.10]  
 TOLERANCES: ±0.005 INCH IF NOT SPECIFIED



**HALO/PBL**

CALIFORNIA, USA  
KOWLOON, HONG KONG  
SINGAPORE

TITLE	ISOLATION MODULE	SIGNATURES	DATE	REV.	DESC.	DATE
FOR	FAST ETHERNET	DRAWN	PETER LU	5/10/06	B	ADD DCR PIN NO. 6/1/06
PART NO.	TG110-3506NXRL	CHECKED				
SCALE	NONE	APPROVED				
PAGE	1 OF 1	FILE	3506NXRL.DWG			