

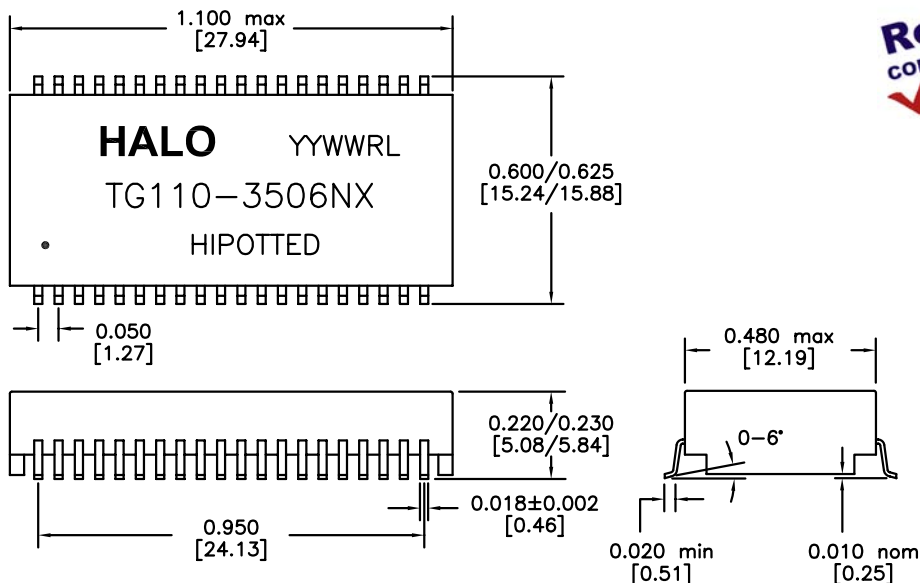


**PART NO. : TG110-3506NXRL**

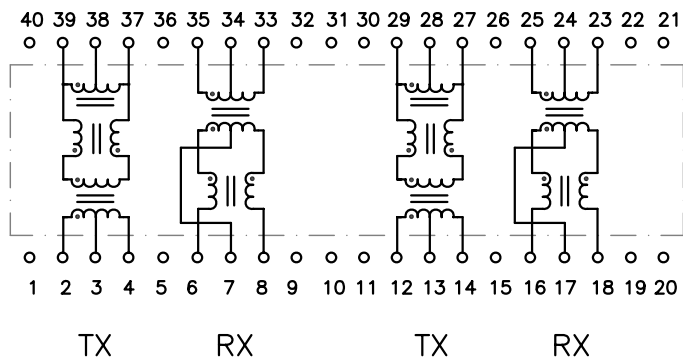
DUAL PORT 10/100BASE-TX ISOLATION MODULE  
LEAD-FREE/RoHS COMPLIANT  
COMPATIBLE TO LEAD-FREE SOLDERING PROCESS  
CONDITION PER IPC/JEDEC J-STD-020C  
OPERATING TEMPERATURE 0/+70°C

**ELECTRICAL SPECIFICATIONS @25° C**

URNS RATIO	
TX P2-4:P39-37,P12-14:P29-27	1CT:1CT ±3%
RX P6-8:P35-33,P16-18:P25-23	1CT:1CT ±3%
OCL (100KHz,0.1Vrms,8mA)	
P2-4,P12-14,P23-25,P33-35	350µH min
DCR	
P2-4,P12-14,P23-25,P33-35	0.9Ω max
LL (1MHz)	0.4µH max
Cw/w	15pF typ
INSERTION LOSS	
0.1-100MHz	-1.1dB max
RETURN LOSS	
0.5-30MHz	-18dB min
40MHz	-15.5dB min
50MHz	-13.6dB min
60-80MHz	-12dB min
CROSSTALK 0.1-100MHz	-40dB typ
CMR 0.1-100MHz	-40dB typ
ISOLATION	1,500Vrms



DIMENSIONS: Inch [mm]  
CO-PLANARITY: 0.004 [0.10]  
TOLERANCES: ±0.005 INCH IF NOT SPECIFIED



**HALO/PBL**

CALIFORNIA, USA  
KOWLOON, HONG KONG  
SINGAPORE

TITLE	ISOLATION MODULE		SIGNATURES	DATE	REV.	DESC.	DATE
	FOR	FAST ETHERNET	DRAWN PETER LU	5/10/06	B	ADD DCR PIN NO.	6/1/06
	PART NO.	TG110-3506NXRL	CHECKED				
	SCALE	NONE	APPROVED				
	PAGE	1 OF 1	FILE	3506NXRL.DWG			