



## PART NO. : TG15-1505NSRL

6PIN SMT T1/E1 ISOLATION TRANSFORMER

RoHS COMPLIANT

COMPATIBLE TO LEAD-FREE SOLDERING PROCESS  
CONDITION PER IPC/JEDEC J-STD-020C

UL/EN60950 AND DEMKO RECOGNIZED

EXTENDED OPERATING TEMP. -40/+85°C

## ELECTRICAL SPECIFICATIONS @25° C

URNS RATIO

P1-3:P6-4

2CT:1 ±3%

OCL P6-4

1.5mH typ

DCR P6-4

0.8Ω max

LL P6-4

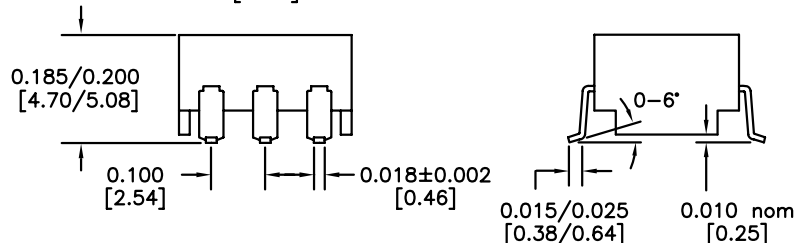
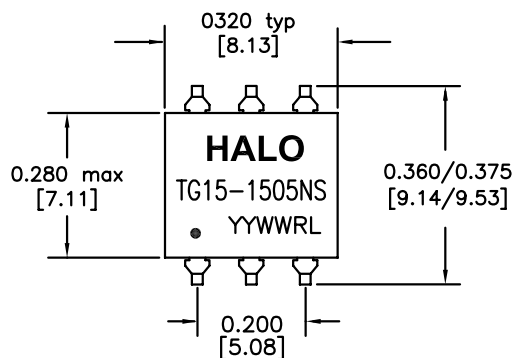
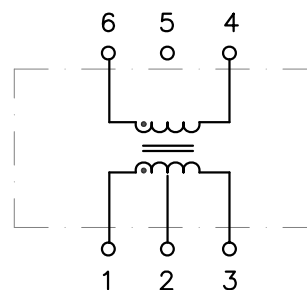
0.5μH max

Cw/w

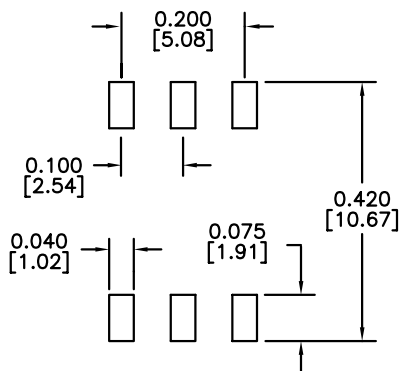
35pF max

ISOLATION

1,500Vrms



DIMENSIONS: Inch [mm]  
CO-PLANARITY: 0.004 [0.10]  
TOLERANCES: ±0.005 INCH IF NOT SPECIFIED



RECOMMENDED SOLDER PAD DIMENSIONS



**HALO/PBL**

CALIFORNIA, USA  
KOWLOON, HONG KONG  
SINGAPORE

TITLE ISOLATION TRANSFORMER

FOR T1/E1 (2CT:1)

PART NO. TG15-1505NSRL

SCALE NONE PAGE 1 OF 1

SIGNATURES

DRAWN PETER LU

CHECKED LEI KEONG

APPROVED PETER LU

FILE 1505NSRL.DWG

DATE

6/21/07

5/4/09

5/4/09

REV.

A

B

DESC.

FIRST ISSUE

PROD. RELEASE

DATE

6/21/07

5/4/09