



**PART NO. : TG17-1505NSRL**

6PIN SMT T1/E1 ISOLATION TRANSFORMER

RoHS COMPLIANT

COMPATIBLE TO LEAD-FREE SOLDERING PROCESS  
CONDITION PER IPC/JEDEC J-STD-020C

UL/EN60950 AND DEMKO RECOGNIZED

EXTENDED OPERATING TEMP. -40/+85°C

**ELECTRICAL SPECIFICATIONS @25° C**

URNS RATIO

P1-3:P6-4

1:1.266 ±3%

P1-3:P6-5

1:1 ±3%

OCL P1-3

1.5mH typ

DCR P1-3

0.8Ω max

LL P1-3

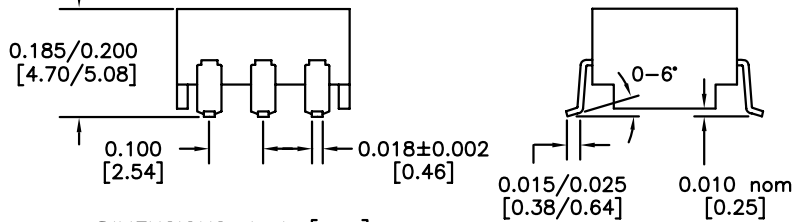
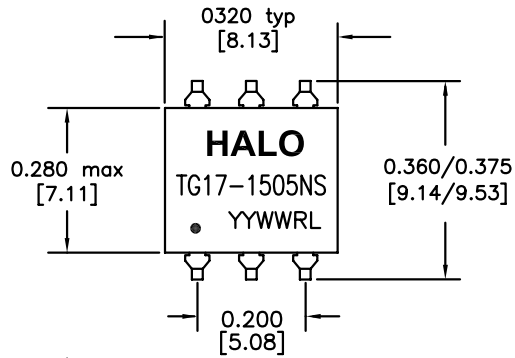
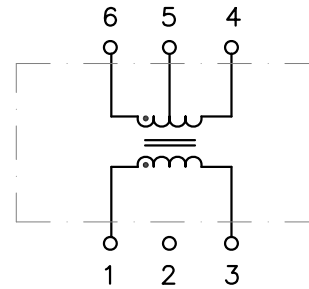
0.5μH max

Cw/w

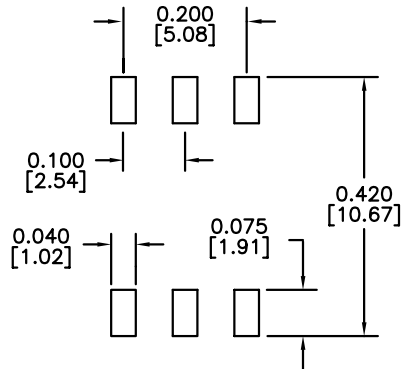
35pF max

ISOLATION

1,500Vrms



DIMENSIONS: Inch [mm]  
CO-PLANARITY: 0.004 [0.10]  
TOLERANCES: ±0.005 INCH IF NOT SPECIFIED



RECOMMENDED SOLDER PAD DIMENSIONS



**HALO/PBL**

CALIFORNIA, USA  
KOWLOON, HONG KONG  
SINGAPORE

TITLE	ISOLATION TRANSFORMER		SIGNATURES	DATE	REV.	DESC.	DATE
FOR	T1/E1 (1:1/1.266)		DRAWN	PETER LU	5/17/05	A	FIRST ISSUE
PART NO.	TG17-1505NSRL		CHECKED	LEI KEONG	5/4/09	B	PROD. RELEASE
SCALE	NONE	PAGE	1 OF 1	APPROVED	PETER LU	5/4/09	
				FILE	1505NSRL.DWG		