



PART NO. : TG1G-E005J24LF

DESIGNED FOR DUAL-PORT FAST ETHERNET OR SINGLE-PORT GIGABIT ETHERNET APPLICATIONS

LEAD-FREE/RoHS COMPLIANT

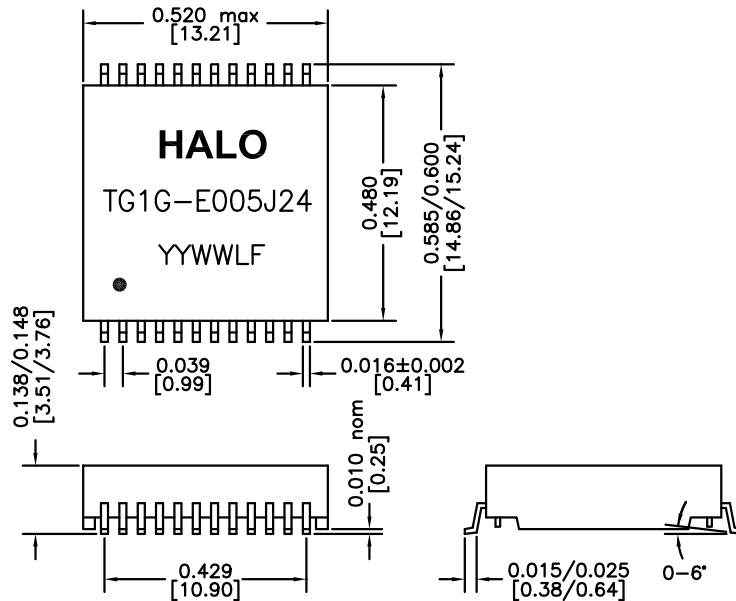
COMPATIBLE TO LEAD-FREE SOLDERING PROCESS CONDITION PER IPC/JEDEC J-STD-020C

EXTENDED OPERATING TEMPERATURE -40/+85°C *

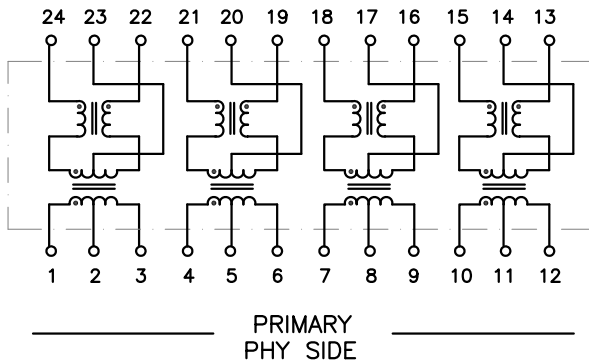
ELECTRICAL SPECIFICATIONS @ 25°C

| | |
|-----------------------|-------------|
| URNS RATIO | 1CT:1CT ±3% |
| OCL (100KHz,0.1V,8mA) | 350µH min |
| DCR (PRI) | 1.3Ω max |
| LL (1MHz,0.1V) | 0.4µH max |
| Cw/w | 30pF max |
| INSERTION LOSS | |
| 1-100MHz | -1.1dB max |
| RETURN LOSS | |
| 0.5-40MHz | -18dB min |
| 60MHz | -14dB min |
| 80MHz | -12dB min |
| 100MHz | -10dB min |
| CROSSTALK 1-100MHz | -40dB typ |
| CMR 1-100MHz | -40dB typ |
| ISOLATION | 1,500Vrms |

* TRANSFORMER MODULE WILL FUNCTIONAL WORK FROM -55°C TO +85°C WITH MINIMUM 120uH OCL



DIMENSIONS: Inch [mm]
CO-PLANARITY: 0.004 [0.10]
TOLERANCES: ±0.005 INCH IF NOT SPECIFIED

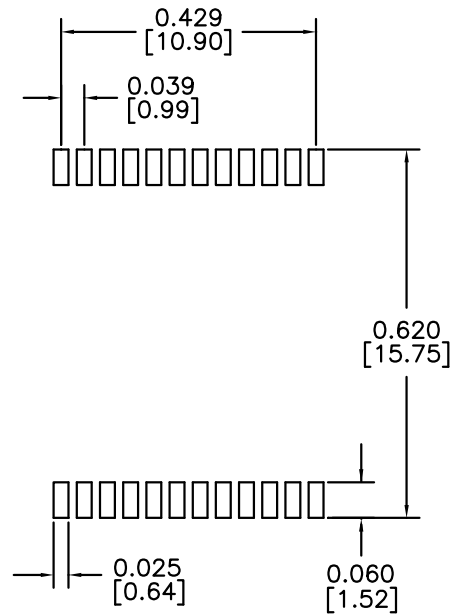


HALO/PBL

CALIFORNIA, USA
KOWLOON, HONG KONG
SINGAPORE

| TITLE | SIGNATURES | DATE | REV. | DESC. | DATE |
|-------------------------|--------------------|----------|------|----------------|----------|
| ISOLATION MODULE | DRAWN LI ZHI ZHONG | 11/16/15 | A | FIRST ISSUE | 11/16/15 |
| FOR 10/100/1000BASE-T | CHECKED LEI KEONG | 12/19/17 | B | PROD. RELEASE | 2/1/16 |
| PART NO. TG1G-E005J24LF | APPROVED PETER LU | 12/19/17 | C | ADD TEMP. NOTE | 12/19/17 |
| SCALE NONE | FILE E005J24LF.DWG | | | | |
| PAGE 1 OF 2 | | | | | |





RECOMMENDED PAD DIMENSIONS
 DIMENSIONS: Inch [mm]

| | | | | | | | | |
|--|-------------------------|--|--------------------|--------------------|-------------------|----------|---------------|----------------|
| HALO/PBL | TITLE ISOLATION MODULE | | SIGNATURES | | DATE | REV. | DESC. | DATE |
| | FOR 10/100/1000BASE-T | | DRAWN LI ZHI ZHONG | | 11/16/15 | A | FIRST ISSUE | 11/16/15 |
| | PART NO. TG1G-E005J24LF | | CHECKED LEI KEONG | | 12/19/17 | B | PROD. RELEASE | 2/1/16 |
| | SCALE NONE | | PAGE 2 OF 2 | | APPROVED PETER LU | 12/19/17 | C | ADD TEMP. NOTE |
| CALIFORNIA, USA KOWLOON, HONG KONG SINGAPORE | | | | FILE E005J24LF.DWG | | | | |