



## PART NO. : TG1G-E005J24RL

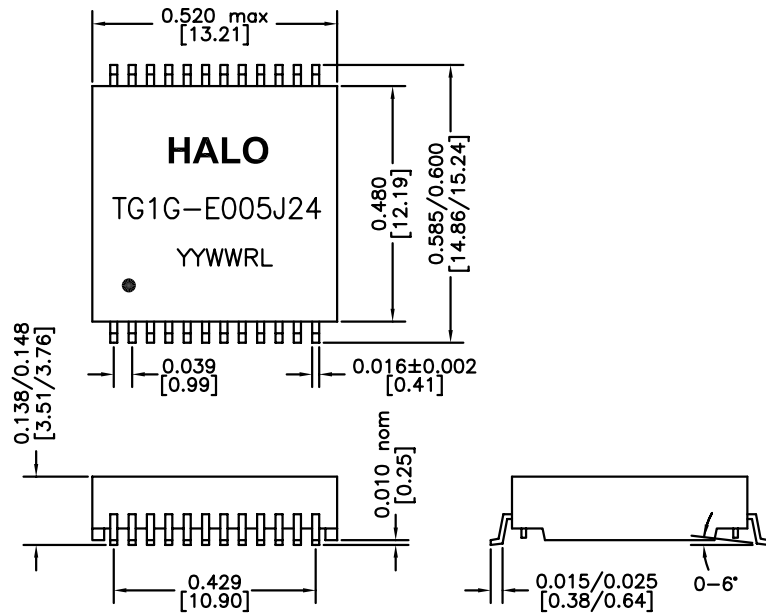
24PIN SMT ISOLATION MODULE

DESIGNED FOR SINGLE-PORT GIGABIT OR  
 DUAL-PORT FAST ETHERNET APPLICATIONS

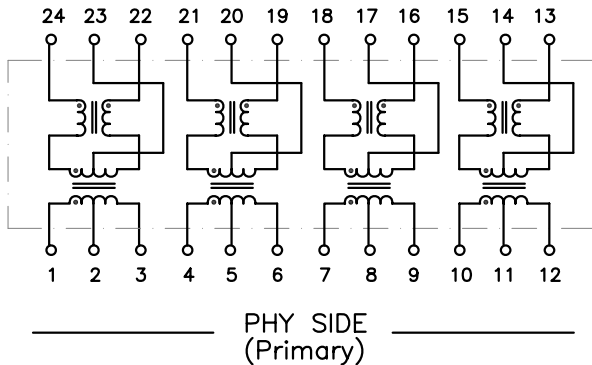
RoHS COMPLIANT

COMPATIBLE TO LEAD-FREE SOLDERING PROCESS  
 CONDITION PER IPC/JEDEC J-STD-020C

EXTENDED OPERATING TEMPERATURE -40/+85°C



DIMENSIONS: Inch [mm]  
 CO-PLANARITY: 0.004 [0.10]  
 TOLERANCES: ±0.005 INCH IF NOT SPECIFIED



## ELECTRICAL SPECIFICATIONS @ 25° C

|                       |             |
|-----------------------|-------------|
| URNS RATIO            | 1CT:1CT ±3% |
| ACL (100KHz,0.1V,8mA) | 350µH min   |
| DCR (PRI)             | 1.3Ω max    |
| LL (1MHz,0.1V)        | 0.4µH max   |
| Cw/w                  | 30pF max    |
| INSERTION LOSS        |             |
| 1-100MHz              | -1.1dB max  |
| RETURN LOSS           |             |
| 1-40MHz               | -18dB min   |
| 60MHz                 | -14dB min   |
| 80MHz                 | -12dB min   |
| 100MHz                | -10dB min   |
| CROSSTALK 1-100MHz    | -40dB typ   |
| CMR 1-100MHz          | -40dB typ   |
| ISOLATION             | 1,500Vrms   |



# HALO/PBL

CALIFORNIA, USA  
 KOWLOON, HONG KONG  
 SINGAPORE

|          |                  |      |            |               |          |          |               |
|----------|------------------|------|------------|---------------|----------|----------|---------------|
| TITLE    | ISOLATION MODULE |      | SIGNATURES | DATE          | REV.     | DESC.    | DATE          |
| FOR      | 1000BASE-T       |      | DRAWN      | PETER LU      | 5/25/06  | A        | FIRST ISSUE   |
| PART NO. | TG1G-E005J24RL   |      | CHECKED    | LEI KEONG     | 10/2/09  | B        | PROD. RELEASE |
| SCALE    | NONE             | PAGE | 1 OF 1     |               | APPROVED | PETER LU | 10/2/09       |
|          |                  |      | FILE       | E005J24RL.DWG |          |          |               |