



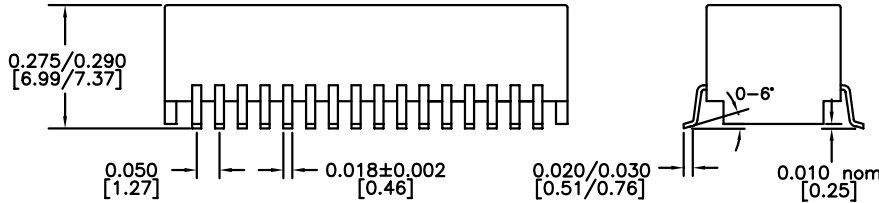
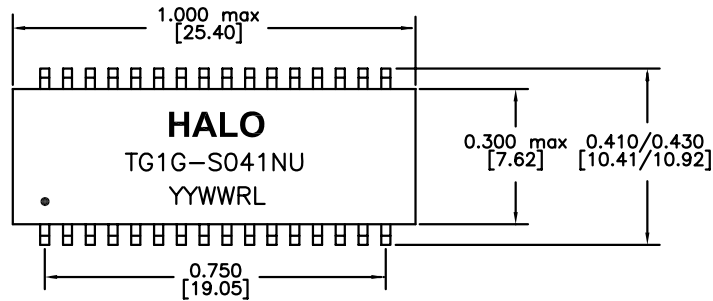
PART NO. : TG1G-S041NURL

32PIN SMT 1-PORT 1000BASE-T MAGNETICS
DESIGNED TO MEET REQUIREMENTS OF IEEE802.3ab
STANDARDS FOR GIGABIT APPLICATIONS

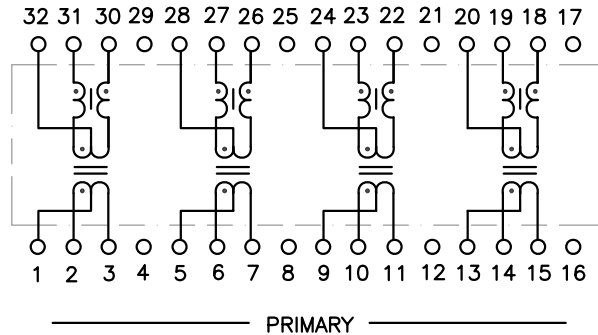
RoHS COMPLIANT

COMPATIBLE TO LEAD-FREE SOLDERING PROCESS
CONDITION PER IPC/JEDEC J-STD-020C

OPERATING TEMPERATURE 0/+70°C



DIMENSIONS: Inch [mm]
CO-PLANARITY: 0.004 [0.10]
TOLERANCES: ±0.005 INCH IF NOT SPECIFIED



ELECTRICAL SPECIFICATIONS @25° C

| | |
|--------------------------|-------------|
| OCL (100KHz,0.1Vrms,8mA) | 350µH min * |
| TURNS RATIO | 1CT:1CT ±2% |
| DCR (PRI) | 0.9Ω max |
| INSERTION LOSS | |
| 1-100MHz | -1.1dB max |
| RETURN LOSS | |
| 1-40MHz | -18dB min |
| 60MHz | -14dB min |
| 80MHz | -12dB min |
| 100MHz | -10dB min |
| CROSSTALK 1-100MHz | -40dB typ |
| CMR 1-100MHz | -40dB typ |
| ISOLATION | 1,500Vrms |

* MINIMUM OCL OVER 0-70°C



| | | | | | | | | |
|----------------------------------------------------|------------------------|--|--------------------|-------------------|---------|------|----------------|---------|
| HALO/PBL | TITLE ISOLATION MODULE | | SIGNATURES | | DATE | REV. | DESC. | DATE |
| | FOR 1000BASE-T | | DRAWN LI ZHI ZHONG | | 5/25/05 | A | FIRST ISSUE | 5/25/05 |
| | PART NO. TG1G-S041NURL | | CHECKED LEI KEONG | | 9/14/10 | B | PROD. RELEASE | 9/25/06 |
| | SCALE NONE | | PAGE 1 OF 1 | | 9/14/10 | C | REVISE MARKING | 9/14/10 |
| CALIFORNIA, USA KOWLOON, HONG KONG SINGAPORE | | | | FILE S041NURL.DWG | | | | |