



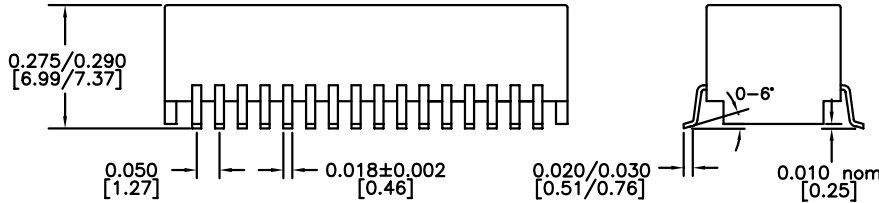
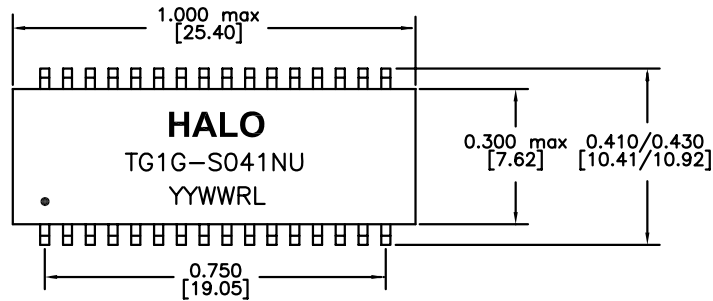
PART NO. : TG1G-S041NURL

32PIN SMT 1-PORT 1000BASE-T MAGNETICS
DESIGNED TO MEET REQUIREMENTS OF IEEE802.3ab
STANDARDS FOR GIGABIT APPLICATIONS

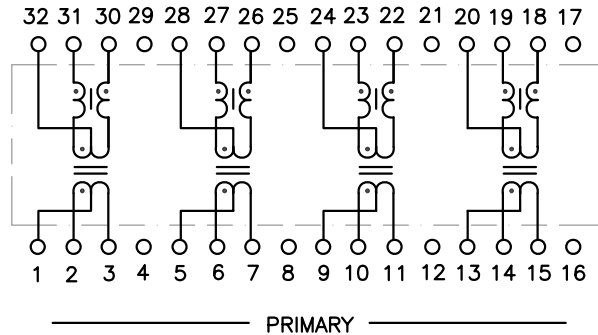
RoHS COMPLIANT

COMPATIBLE TO LEAD-FREE SOLDERING PROCESS
CONDITION PER IPC/JEDEC J-STD-020C

OPERATING TEMPERATURE 0/+70°C



DIMENSIONS: Inch [mm]
CO-PLANARITY: 0.004 [0.10]
TOLERANCES: ±0.005 INCH IF NOT SPECIFIED



ELECTRICAL SPECIFICATIONS @25° C

OCL (100KHz,0.1Vrms,8mA)	350µH min *
TURNS RATIO	1CT:1CT ±2%
DCR (PRI)	0.9Ω max
INSERTION LOSS	
1-100MHz	-1.1dB max
RETURN LOSS	
1-40MHz	-18dB min
60MHz	-14dB min
80MHz	-12dB min
100MHz	-10dB min
CROSSTALK 1-100MHz	-40dB typ
CMR 1-100MHz	-40dB typ
ISOLATION	1,500Vrms

* MINIMUM OCL OVER 0-70°C



HALO/PBL	TITLE ISOLATION MODULE		SIGNATURES		DATE	REV.	DESC.	DATE
	FOR 1000BASE-T		DRAWN LI ZHI ZHONG		5/25/05	A	FIRST ISSUE	5/25/05
	PART NO. TG1G-S041NURL		CHECKED LEI KEONG		9/14/10	B	PROD. RELEASE	9/25/06
	SCALE NONE		PAGE 1 OF 1		9/14/10	C	REVISE MARKING	9/14/10
CALIFORNIA, USA KOWLOON, HONG KONG SINGAPORE				FILE S041NURL.DWG				