



**PART NO. : TG22-S010NDRL**

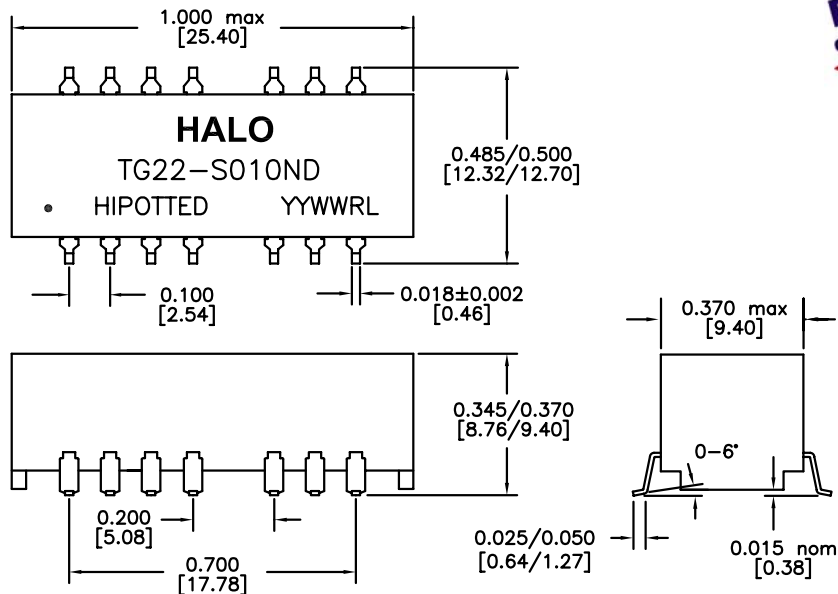
16PIN SMT ISOLATION MODULE FOR 10/100BASE-TX  
IEEE802.3u APPLICATIONS

RoHS COMPLIANT

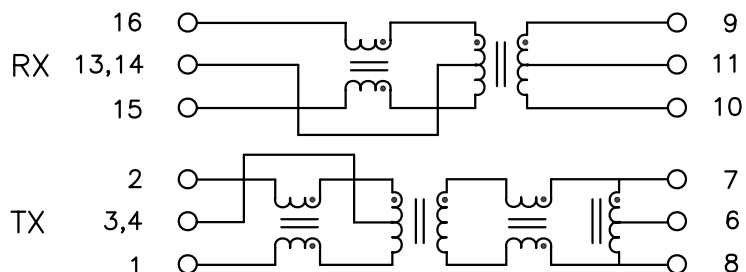
COMPATIBLE TO LEAD-FREE SOLDERING PROCESS  
CONDITION PER IPC/JEDEC J-STD-020C

UL/EN60950 AND DEMKO RECOGNIZED

OPERATING TEMPERATURE 0/+70°C



DIMENSIONS: Inch [mm]  
CO-PLANARITY: 0.004 [0.10]  
TOLERANCES: ±0.005 INCH IF NOT SPECIFIED



**ELECTRICAL SPECIFICATIONS @25° C**

TURN RATIO

TX P1-2:P8-7

1CT:1CT ±3%

RX P16-15:P9-10

1CT:1CT ±3%

OCL (100KHz,0.1Vrms,8mA)

350µH min

DCR P1-2,P16-15

1.2Ω max

LL (1MHz)

0.4µH max

Cw/w

20pF typ

INSERTION LOSS

0.1-100MHz

-1.1dB max

RETURN LOSS

0.5-30MHz

-18dB min

40MHz

-15.5dB min

50MHz

-13.6dB min

60-80MHz

-12dB min

CROSSTALK 0.1-100MHz

-40dB typ

CMR 0.1-100MHz

-45dB typ

ISOLATION

1,500Vrms



**HALO/PBL**

CALIFORNIA, USA  
KOWLOON, HONG KONG  
SINGAPORE

TITLE	ISOLATION MODULE	SIGNATURES	DATE	REV.	DESC.	DATE
FOR	10/100BASE-TX	DRAWN PETER LU	6/3/05	A	FIRST ISSUE	6/3/05
PART NO.	TG22-S010NDRL	CHECKED LEI KEONG	7/27/07	B	PROD. RELEASE	7/27/07
SCALE	NONE	APPROVED PETER LU	7/27/07			
PAGE	1 OF 1	FILE	S010NDRL.DWG			