



PART NO. : TG22-S010NDRL

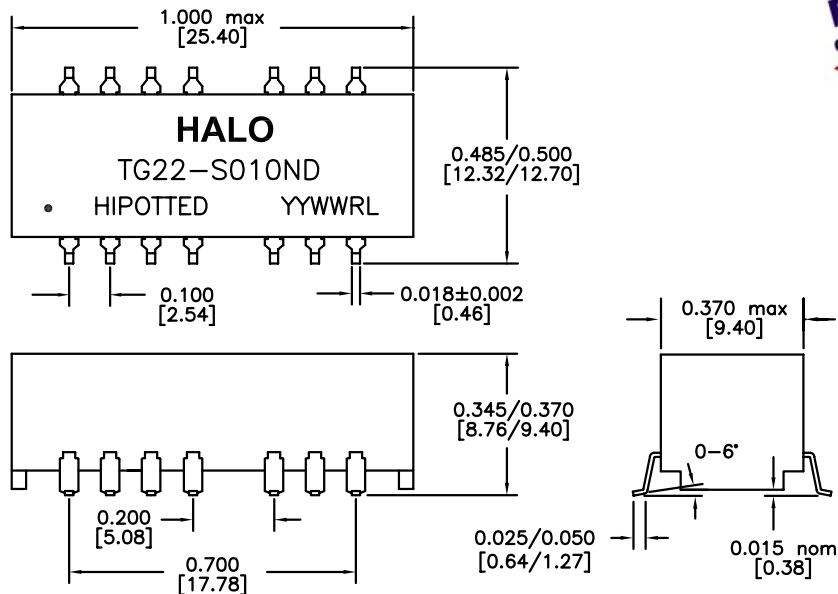
16PIN SMT ISOLATION MODULE FOR 10/100BASE-TX
IEEE802.3u APPLICATIONS

RoHS COMPLIANT

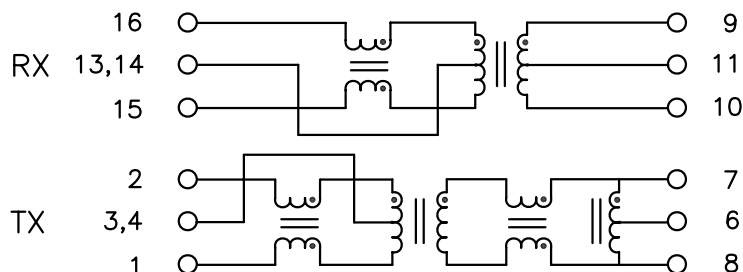
COMPATIBLE TO LEAD-FREE SOLDERING PROCESS
CONDITION PER IPC/JEDEC J-STD-020C

UL/EN60950 AND DEMKO RECOGNIZED

OPERATING TEMPERATURE 0/+70°C



DIMENSIONS: Inch [mm]
CO-PLANARITY: 0.004 [0.10]
TOLERANCES: ±0.005 INCH IF NOT SPECIFIED



ELECTRICAL SPECIFICATIONS @25° C

TURN RATIO

TX P1-2:P8-7

1CT:1CT ±3%

RX P16-15:P9-10

1CT:1CT ±3%

OCL (100KHz,0.1Vrms,8mA)

350µH min

DCR P1-2,P16-15

1.2Ω max

LL (1MHz)

0.4µH max

Cw/w

20pF typ

INSERTION LOSS

0.1-100MHz

-1.1dB max

RETURN LOSS

0.5-30MHz

-18dB min

40MHz

-15.5dB min

50MHz

-13.6dB min

60-80MHz

-12dB min

CROSSTALK 0.1-100MHz

-40dB typ

CMR 0.1-100MHz

-45dB typ

ISOLATION

1,500Vrms



HALO/PBL

CALIFORNIA, USA
KOWLOON, HONG KONG
SINGAPORE

TITLE ISOLATION MODULE

FOR 10/100BASE-TX

PART NO. TG22-S010NDRL

SCALE NONE PAGE 1 OF 1

SIGNATURES

DRAWN PETER LU

CHECKED LEI KEONG

APPROVED PETER LU

FILE S010NDRL.DWG

DATE

6/3/05

7/27/07

7/27/07

REV.

A

B

DESC.

FIRST ISSUE

PROD. RELEASE

DATE

6/3/05

7/27/07