



PART NO. : TG22-S012NDRL

16PIN SMT ISOLATION MODULE FOR 10/100BASE-TX
IEEE802.3u APPLICATIONS

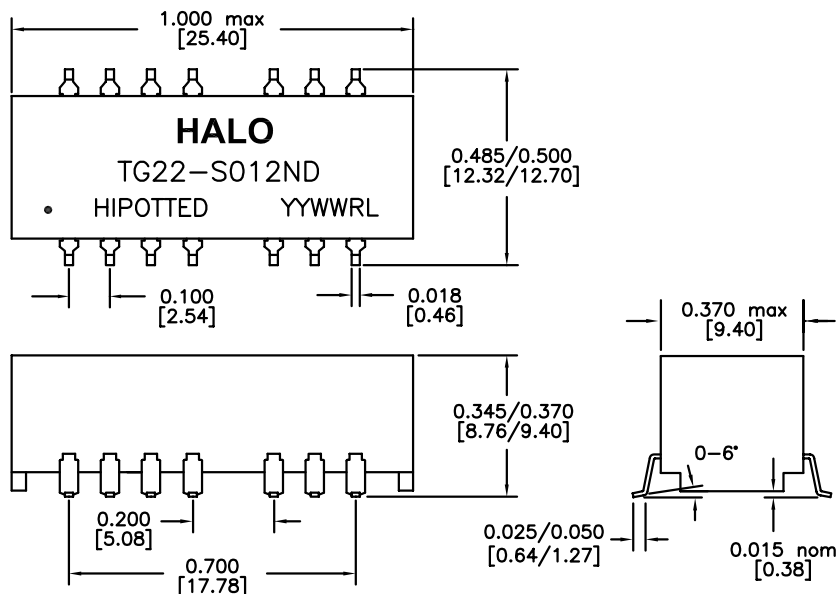
LEAD-FREE/RoHS COMPLIANT

COMPATIBLE TO LEAD-FREE SOLDERING PROCESS
CONDITION PER IPC/JEDEC J-STD-020C

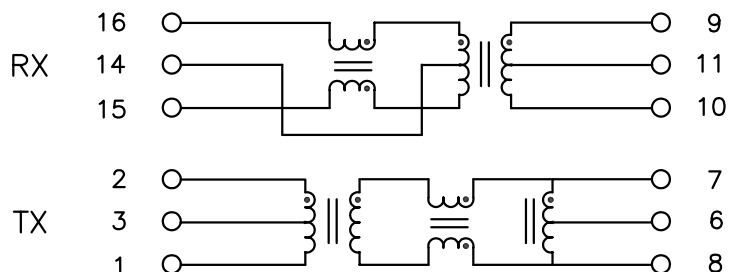
OPERATING TEMPERATURE 0/+70°C

ELECTRICAL SPECIFICATIONS @25° C

TURN RATIO	
TX P1-2:P8-7	1CT:1CT ±3%
RX P16-15:P9-10	1CT:1CT ±3%
OCL (100KHz,0.1Vrms,8mA)	350µH min
DCR P1-2,P9-10	0.9Ω max
LL (1MHz)	0.4µH max
Cw/w	15pF typ
INSERTION LOSS	
0.1-100MHz	-1.1dB max
RETURN LOSS	
0.5-30MHz	-18dB min
40MHz	-15.5dB min
50MHz	-13.6dB min
60-80MHz	-12dB min
CROSSTALK 0.1-100MHz	-38dB min
TX CMR 0.1-100MHz	-45dB typ
ISOLATION	1,500Vrms



DIMENSIONS: Inch [mm]
CO-PLANARITY: 0.004 [0.10]
TOLERANCES: ±0.005 INCH IF NOT SPECIFIED



HALO/PBL

CALIFORNIA, USA
KOWLOON, HONG KONG
SINGAPORE

TITLE	TRANSFORMER MODULE		SIGNATURES	DATE	REV.	DESC.	DATE
	FOR	10/100BASE-TX	DRAWN PETER LU	11/22/05	B	REVISED DCR SPEC	12/21/05
	PART NO.	TG22-S012NDRL	CHECKED				
	SCALE	NONE	APPROVED				
	PAGE	1 OF 1	FILE	S012NDRL.DWG			