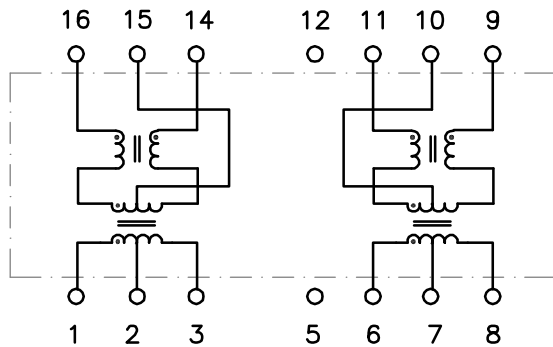


DIMENSIONS : Inch[mm]
CO-PLANARITY : 0.004[0.10]



PART NO. : TG22-S131NDRL

16PIN SMT ISOLATION MODULE FOR 10/100BASE-TX
IEEE802.3u APPLICATIONS

LEAD-FREE/ROHS COMPLIANT

COMPATIBLE TO LEAD-FREE SOLDERING PROCESS
CONDITION PER IPC/JEDEC J-STD-020C

OPERATING TEMPERATURE 0/+70°C

ELECTRICAL SPECIFICATIONS @25° C

TURN RATIO

TX P1-3:P16-14 1.41CT:1CT ±3%
RX P6-8:P11-9 1CT:1CT ±3%

OCL (100KHz,0.1Vrms,8mA)
P11-9,P16-14

350µH min

DCR P1-3,P6-8

0.9Ω max

LL P11-9,P16-14

0.4µH max

Cw/w

20pF typ

RISE TIME (10-90%)

2.5ns typ

CROSSTALK 0.1-100MHz

-38dB min

CMR 0.1-100MHz

-40dB typ

ISOLATION

1,500Vrms

HALO/PBL

CALIFORNIA, USA
KOWLOON, HONG KONG
SINGAPORE

TITLE	ISOLATION MODULE		SIGNATURES	DATE	REV.	DESC.	DATE
FOR	FAST ETHERNET		DRAWN PETER LU	2/17/05	B	REV SND.OFF CLEARANCE	3/9/05
PART NO.	TG22-S131NDRL		CHECKED				
SCALE	NONE	PAGE	1 OF 1	APPROVED			
		FILE	S131NDRL.DWG				