



**PART NO. : TG22-S137NLRL**

16PIN SURFACE MOUNT 10/100BASE-T ISOLATION  
MODULE WITH AUTO TRANSFORMER ON TRANSMIT  
CHANNEL FOR IMPROVED COMMON MODE TERMINATION

LEAD-FREE/RoHS COMPLIANT

COMPATIBLE TO LEAD-FREE SOLDERING PROCESS  
CONDITION PER IPC/JEDEC J-STD-020C

OPERATING TEMPERATURE 0/+70°C

**ELECTRICAL SPECIFICATIONS @25° C**

URNS RATIO

TX P16-15:P10-11

1.25CT:1CT±3%

RX P1-2:P7-6

1CT:1CT±3%

OCL (100KHz,0.1Vrms,8mA)

Cable Side

350µH min

DCR

0.9Ω max

LL P6-7,P10-11

0.35µH max

Cw/w

20pF typ

CROSSTALK 0.1-100MHz

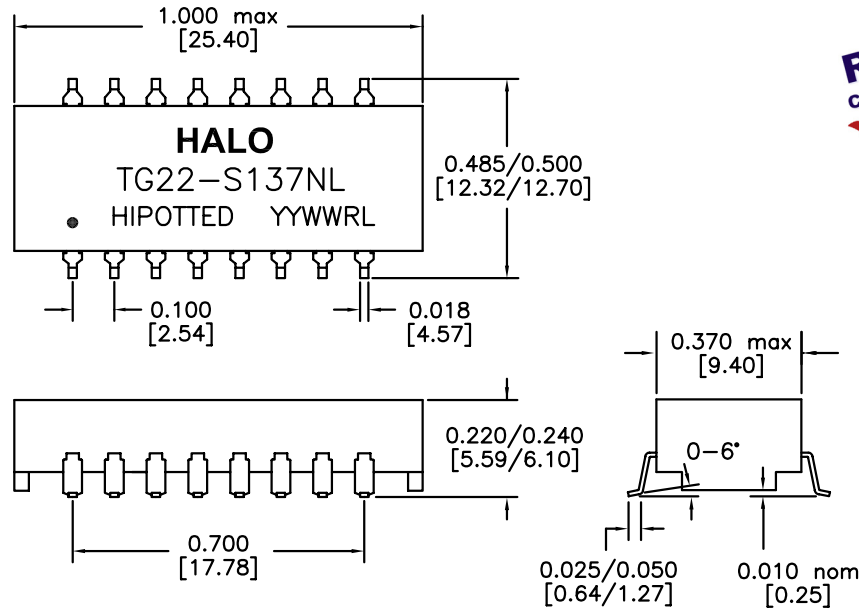
-38dB min

CMR 0.1-100MHz

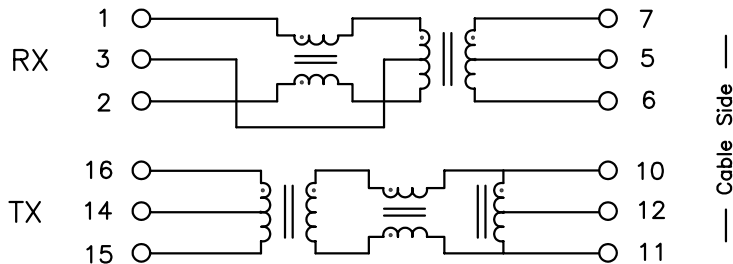
-40dB typ

ISOLATION

1,500Vrms



DIMENSIONS: Inch [mm]  
CO-PLANARITY: 0.004 [0.10]  
TOLERANCES: ±0.005 INCH IF NOT SPECIFIED



**HALO/PBL**

CALIFORNIA, USA  
KOWLOON, HONG KONG  
SINGAPORE

TITLE	ISOLATION MODULE		SIGNATURES	DATE	REV.	DESC.	DATE
FOR	FAST ETHERNET		DRAWN PETER LU	6/22/06	A		
PART NO.	TG22-S137NLRL		CHECKED				
SCALE	NONE	PAGE	1 OF 1	APPROVED			
				FILE	S137NLRL.DWG		