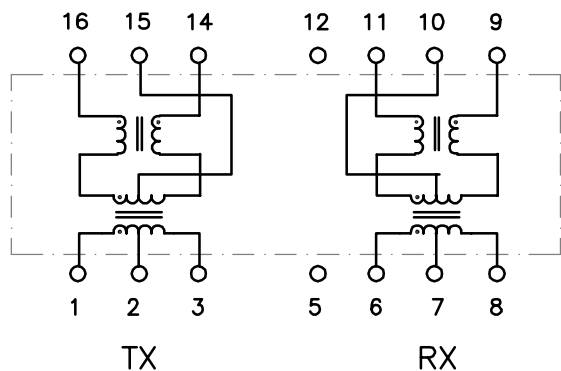


DIMENSIONS : Inch [mm]  
CO-PLANARITY : 0.004 [0.10]



**PART NO. : TG22-S139NLRL**

16PIN SMT 10/100BASE-TX ISOLATION MODULE

LEAD-FREE/RoHS COMPLIANT

COMPATIBLE TO LEAD-FREE SOLDERING PROCESS  
CONDITION PER IPC/JEDEC J-STD-020C

OPERATING TEMPERATURE 0/+70°C

**ELECTRICAL SPECIFICATIONS @25° C**

URNS RATIO

TX P1-3:P16-14

1.25CT:1CT ±3%

RX P6-8:P11-9

1CT:1CT ±3%

ACL (100KHz,0.1Vrms,8mA)

350µH(cable side) min

DCR

0.9Ω max

LL P9-11,P14-16

0.35µH max

Cw/w

20pF typ

CROSSTALK 0.1-100MHz

-40dB typ

CMR 0.1-100MHz

-40dB typ

ISOLATION

1,500 Vrms

**HALO/PBL**

TITLE 10/100MB XFMR MODULE

FOR QSI QS6612

PART NO. TG22-S139NLRL

SCALE NONE

PAGE 1 OF 1

SIGNATURES

DRAWN PETER LU

CHECKED

APPROVED

FILE S139NRL.DWG

DATE

4/25/05

REV.

A

DESC.

DATE

CALIFORNIA, USA  
KOWLOON, HONG KONG  
SINGAPORE