

**PART NO. : TG23-1505NCRL**

T1/E1/CEPT/ISDN-PRI TRANSFORMER MODULE

12PIN SURFACE MOUNT PACKAGE

LEAD-FREE/ROHS COMPLIANT

COMPATIBLE TO LEAD-FREE SOLDERING PROCESS  
CONDITION PER IPC/JEDEC J-STD-020C

EXTENDED OPERATING TEMPERATURE -40/+85°C

**ELECTRICAL SPECIFICATIONS @25° C**

TURNS RATIO

P1-3:P12-10

1CT:2.42CT±2%

P4-6:P9-7

1CT:2.42CT±2%

OCL P1-3,P4-6

1.5mH typ

DCR P1-3,P4-6

0.9Ω max

Cw/w

35pF max

LL P1-3,P4-6

0.5μH max

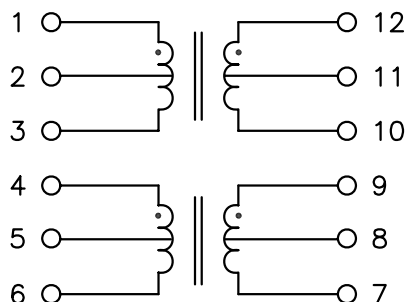
CROSSTALK 0.5-5MHz

-60dB typ

ISOLATION

1,500Vrms

DIMENSIONS: Inch [mm]  
CO-PLANARITY: 0.004 [0.10]  
TOLERANCES: ±0.005 INCH IF NOT SPECIFIED



**HALO/PBL**

CALIFORNIA, USA  
KOWLOON, HONG KONG  
SINGAPORE

TITLE	ISOLATION TRANSFORMERS		SIGNATURES	DATE	REV.	DESC.	DATE
FOR	T1/E1 (1:2.42)		DRAWN MAC	7/13/06	A		
PART NO.	TG23-1505NCRL		CHECKED				
SCALE	NONE	PAGE	1 OF 1	APPROVED			
				FILE	TG23-1505NCRL.DWG		