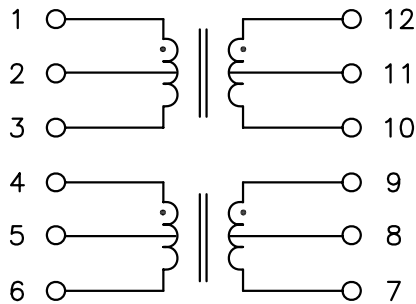


DIMENSIONS: Inch [mm]  
CO-PLANARITY: 0.004 [0.10]  
TOLERANCES: ±0.005 INCH IF NOT SPECIFIED



**PART NO. : TG24-S001NCRL**

T1/E1/CEPT/ISDN-PRI TRANSFORMER MODULE

RoHS COMPLIANT

COMPATIBLE TO LEAD-FREE SOLDERING PROCESS  
CONDITION PER IPC/JEDEC J-STD-020C

UL/EN60950 AND DEMKO RECOGNIZED

EXTENDED OPERATING TEMPERATURE -40/+85°C

**ELECTRICAL SPECIFICATIONS @25° C**

TURNS RATIO

P12-10:P1-3

1CT:1.36CT±2%

P4-6:P9-7

1CT:1.36CT±2%

OCL P4-6,P12-10

1.5mH typ

DCR P4-6,P12-10

0.9Ω max

Cw/w

40pF max

LL P4-6,P12-10

0.5μH max

CROSSTALK 0.5-5MHz

-60dB typ

ISOLATION

1,500Vrms



**HALO/PBL**

CALIFORNIA, USA  
KOWLOON, HONG KONG  
SINGAPORE

TITLE ISOLATION TRANSFORMERS

FOR T1/E1 (1:1.36,1:1.36)

PART NO. TG24-S001NCRL

SCALE NONE PAGE 1 OF 1

SIGNATURES

DRAWN PETER LU

CHECKED LEI KEONG

APPROVED PETER LU

FILE 1505NCRL.DWG

DATE

2/13/08

2/13/08

2/13/08

REV.

A

DESC.

FIRST ISSUE

DATE

2/13/08