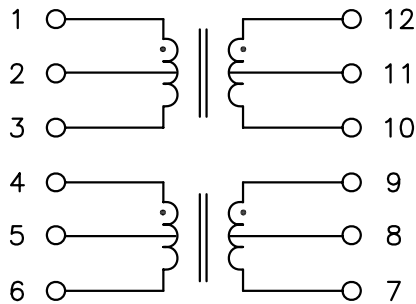


DIMENSIONS: Inch [mm]
CO-PLANARITY: 0.004 [0.10]
TOLERANCES: ±0.005 INCH IF NOT SPECIFIED



PART NO. : TG24-S001NCRL

T1/E1/CEPT/ISDN-PRI TRANSFORMER MODULE

RoHS COMPLIANT

COMPATIBLE TO LEAD-FREE SOLDERING PROCESS
CONDITION PER IPC/JEDEC J-STD-020C

UL/EN60950 AND DEMKO RECOGNIZED

EXTENDED OPERATING TEMPERATURE -40/+85°C

ELECTRICAL SPECIFICATIONS @25° C

TURNS RATIO

P12-10:P1-3

1CT:1.36CT±2%

P4-6:P9-7

1CT:1.36CT±2%

OCL P4-6,P12-10

1.5mH typ

DCR P4-6,P12-10

0.9Ω max

Cw/w

40pF max

LL P4-6,P12-10

0.5μH max

CROSSTALK 0.5-5MHz

-60dB typ

ISOLATION

1,500Vrms



HALO/PBL

CALIFORNIA, USA
KOWLOON, HONG KONG
SINGAPORE

TITLE	ISOLATION TRANSFORMERS		SIGNATURES	DATE	REV.	DESC.	DATE
FOR	T1/E1 (1:1.36,1:1.36)		DRAWN	PETER LU	2/13/08	A	FIRST ISSUE
PART NO.	TG24-S001NCRL		CHECKED	LEI KEONG	2/13/08		
SCALE	NONE	PAGE	1 OF 1	APPROVED	PETER LU	2/13/08	
				FILE	1505NCRL.DWG		