

PART NO. : TG27-1505NCRL

T1/E1/CEPT/ISDN-PRI TRANSFORMER MODULE

RoHS COMPLIANT

COMPATIBLE TO LEAD-FREE SOLDERING PROCESS
CONDITION PER IPC/JEDEC J-STD-020C

UL/EN60950 AND DEMKO RECOGNIZED

EXTENDED OPERATING TEMPERATURE -40/+85°C

ELECTRICAL SPECIFICATIONS @25° C

TURNS RATIO

P12-10:P1-3

1CT:2CT±2%

P4-6:P9-7

1CT:1.36CT±2%

OCL P4-6,P12-10

1.5mH typ

DCR P4-6,P12-10

0.9Ω max

Cw/w

35pF max

LL P4-6,P12-10

0.5μH max

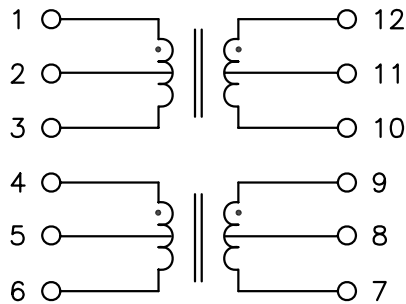
CROSSTALK 0.5-5MHz

-60dB typ

ISOLATION

1,500Vrms

DIMENSIONS: Inch [mm]
CO-PLANARITY: 0.004 [0.10]
TOLERANCES: ±0.005 INCH IF NOT SPECIFIED



HALO/PBL

CALIFORNIA, USA
KOWLOON, HONG KONG
SINGAPORE

| TITLE | | ISOLATION TRANSFORMERS | | SIGNATURES | DATE | REV. | DESC. | DATE |
|----------|--|------------------------|------|------------|--------------|----------|---------|-------------|
| FOR | | T1/E1 (1:2,1:1.36) | | DRAWN | PETER LU | 7/24/07 | A | FIRST ISSUE |
| PART NO. | | TG27-1505NCRL | | CHECKED | LEI KEONG | 7/24/07 | | |
| SCALE | | NONE | PAGE | 1 OF 1 | APPROVED | PETER LU | 7/24/07 | |
| | | | | FILE | 1505NCRL.DWG | | | |