

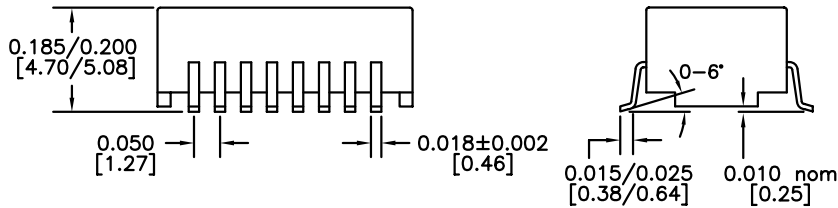
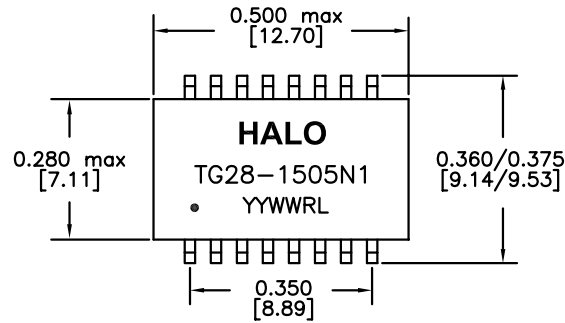


PART NO. : TG28-1505N1RL

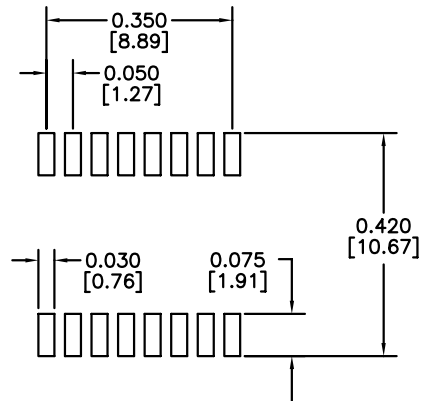
16PIN DUAL SMT T1/E1 ISOLATION MODULE
RoHS COMPLIANT

COMPATIBLE TO LEAD-FREE SOLDERING PROCESS
CONDITION PER IPC/JEDEC J-STD-020C

UL/EN60950 AND DEMKO REGOGNIZED
EXTENDED OPERATING TEMPERATURE -40/+85°C



DIMENSIONS: Inch [mm]
CO-PLANARITY: 0.004 [0.10]
TOLERANCES: ±0.005 INCH IF NOT SPECIFIED



RECOMMENDED SOLDER PAD DIMENSIONS

ELECTRICAL SPECIFICATIONS @25° C

URNS RATIO

P16-14:P1-3
P6-8:P11-9

1CT:1CT±2%
1CT:1.36CT±2%

OCL PRI

1.5mH typ

DCR PRI

0.8Ω max

Cw/w

35pF max

LL PRI

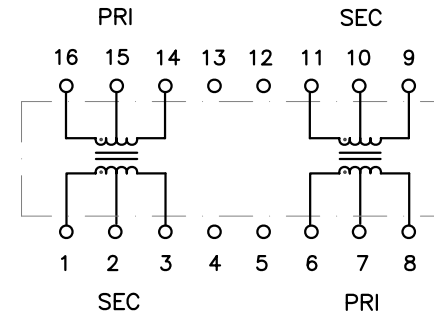
0.5μH max

CROSSTALK 0.5-5MHz

-60dB typ

ISOLATION

1,500Vrms



HALO/PBL

CALIFORNIA, USA
KOWLOON, HONG KONG
SINGAPORE

TITLE	SMT ISOLATION MODULE	SIGNATURES	DATE	REV.	DESC.	DATE
FOR	T1/E1 (1:1,1:1.36)	DRAWN	LI ZHI ZHONG	10/18/06	A	FIRST ISSUE
PART NO.	TG28-1505N1RL	CHECKED	LEI KEONG	10/26/10	B	PROD. RELEASE
SCALE	NONE	APPROVED	PETER LU	10/26/10		
PAGE	1 OF 1	FILE	1505N1RL.DWG			

