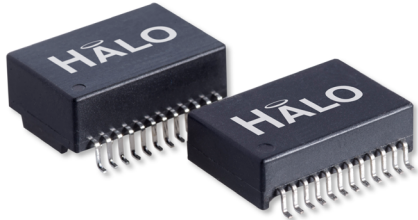


# 2.5G & 5G Transformers

SMD 2.5G/5G BASE-T Single Port Ethernet Isolation Modules



## Product Features:

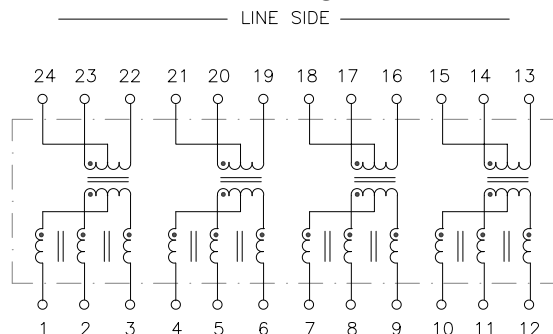
- 2.5G/5GBASE-T Ethernet Transformer/CMR
- IEEE802.3bz/af/at/bt Compliant
- 4PPoE - 4 Pair Power over Ethernet
- UL/EN60950 Recognized
- 100% Electrical Testing
- 1500Vrms Hi-Pot
- Designed for PSE and PD PoE Applications

Part Number	Data Rate	Total Power <sup>1</sup>	Current Per Pair	Operating Temp	DCR (max)	Package	Max Height inch [mm]
TG2G-S102NJLF	2.5G	30W	350mA	0 to +70°C	0.6Ω	NJ	0.250 [6.35]
TG2G-E102NJLF	2.5G	30W	350mA	-40 to +85°C	0.6Ω	NJ	0.250 [6.35]
TG2G-S12NZLF	2.5G	30W	350mA	0 to +70°C	0.6Ω	NZ	0.230 [5.84]
TG2G-E12NZLF	2.5G	30W	350mA	-40 to +85°C	0.6Ω	NZ	0.230 [5.84]
TG2G-HP6NZLF	2.5G	60W	600mA	0 to +70°C	0.5Ω	NZ	0.230 [5.84]
TG2G-HPE6NZLF	2.5G	60W	600mA	-40 to +85°C	0.5Ω	NZ	0.230 [5.84]
TG2G-HP10NZ5LF	2.5G	90W	1A	0 to +70°C	0.4Ω	NZ5	0.255 [6.48]
TG2G-HPE10NZ5LF	2.5G	90W	1A	-40 to +85°C	0.4Ω	NZ5	0.255 [6.48]
TG5G-S12NZ5LF	5G	30W	350mA	0 to +70°C	0.5Ω	NZ5	0.255 [6.48]
TG5G-E12NZ5LF	5G	30W	350mA	-40 to +85°C	0.5Ω	NZ5	0.255 [6.48]
TG5G-HP6NZ5LF	5G	60W	600mA	0 to +70°C	0.5Ω	NZ5	0.255 [6.48]
TG5G-HPE6NZ5LF	5G	60W	600mA	-40 to +85°C	0.5Ω	NZ5	0.255 [6.48]
TG5G-HP10NZ5LF	5G	90W	1A	0 to +70°C	0.4Ω	NZ5	0.255 [6.48]
TG5G-HPE10NZ5LF	5G	90W	1A	-40 to +85°C	0.4Ω	NZ5	0.255 [6.48]

### Notes:

- <sup>1</sup> Power rating reduced to half when using only two pairs for power as in 802.3af/802.3at applications.
- Please contact the factory or representative for individual datasheets or additional information.
- Footprint interchangeable 10G parts available at <https://www.haloelectronics.com/pdf/discrete-10gbaset.pdf>

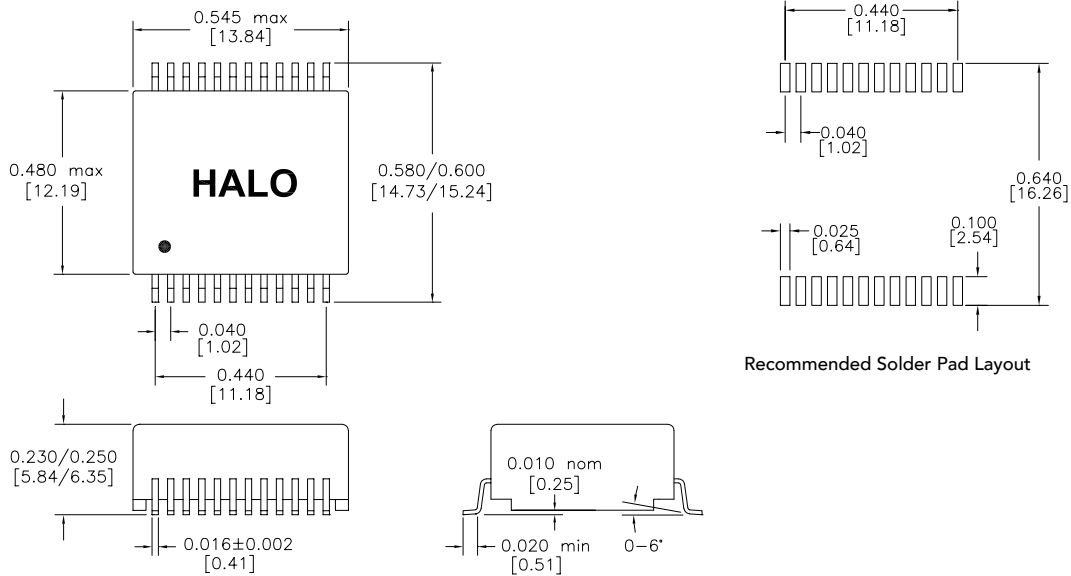
## Circuit Diagram



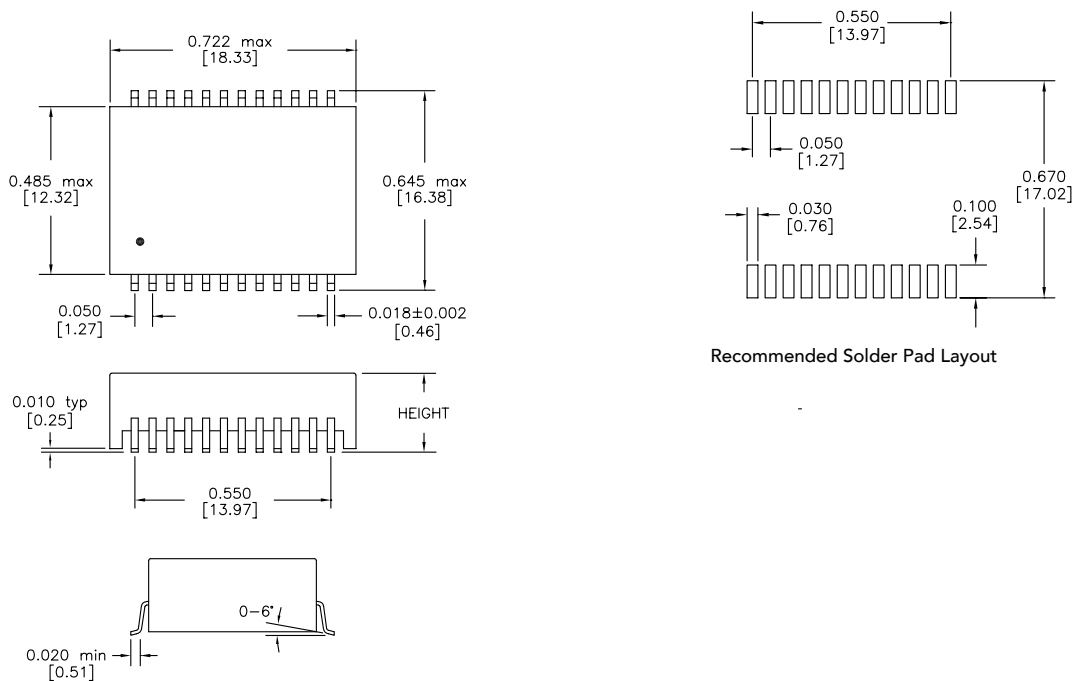
For additional information contact your [local representative](#), or HALO's support staff at (650) 903-3800 or [info@haloelectronics.com](mailto:info@haloelectronics.com)

# HALO 2.5G and 5G Ethernet Transformers

## Mechanical - NJ Package



## Mechanical - NZ & NZ5 Package



**Patented Construction**

US Patent Numbers:

5,656,985 6,297,721 B1

6,297,720 B1 6,320,489 B1

6,344,785 B1 6,662,431 B1

Dimensions: inch [mm]  
Co-Planarity: 0.004 [0.10]



2933 BUnker Hill Lane #200  
Santa Clara, CA 95054  
(650) 903-3800

[www.haloelectronics.com](http://www.haloelectronics.com)

HALO® Electronics is a leading supplier of high quality communication magnetics including signal transformers, filters, CMR chokes, PoE power transformers, DC/DC isolation modules, and integrated Ethernet connectors. HALO's high quality and competitively priced leading edge technology solutions are manufactured in ISO9001 and ISO14001 factories.