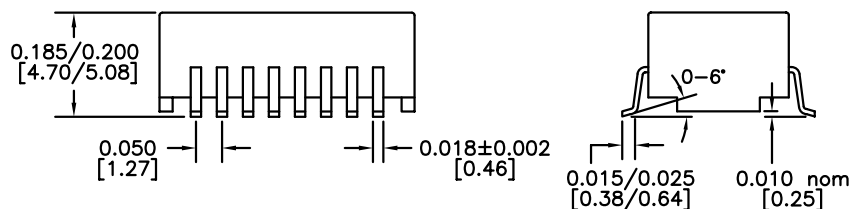
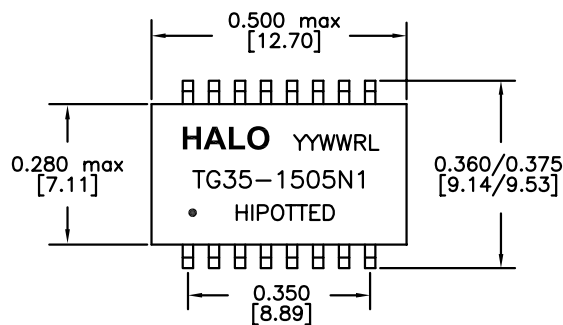


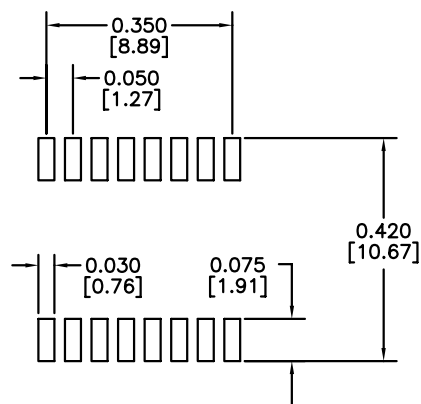


PART NO. : TG35-1505N1RL

16PIN DUAL SMT T1/E1 ISOLATION MODULE
RoHS COMPLIANT
COMPATIBLE TO LEAD-FREE SOLDERING PROCESS
CONDITION PER IPC/JEDEC J-STD-020C
UL60950 REGONIZED
EXTENDED OPERATING TEMPERATURE -40/+85°C



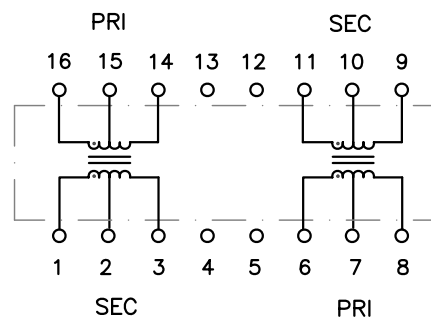
DIMENSIONS: Inch [mm]
CO-PLANARITY: 0.004 [0.10]
TOLERANCES: ±0.005 INCH IF NOT SPECIFIED



RECOMMENDED SOLDER PAD DIMENSIONS

ELECTRICAL SPECIFICATIONS @25° C

URNS RATIO
P16-14:P1-3 1CT:1.15CT±2%
P6-8:P11-9 1CT:1CT±2%
OCL (PRI) 1.5mH typ
DCR (PRI) 0.8Ω max
Cw/w 35pF max
LL (PRI) 0.5μH max
CROSSTALK 0.5-5MHz -60dB typ
ISOLATION 1,500Vrms



HALO/PBL

CALIFORNIA, USA
KOWLOON, HONG KONG
SINGAPORE

TITLE	SMT ISOLATION MODULE	SIGNATURES	DATE	REV.	DESC.	DATE
FOR	T1/E1 (1:1.15, 1:1)	DRAWN	PETER LU	9/11/06	A	
PART NO.	TG35-1505N1RL	CHECKED				
SCALE	NONE	APPROVED				
PAGE	1 OF 1	FILE	TG351505N1RL.DWG			