



**PART NO. : TG35-1505N1RL**

16PIN DUAL SMT T1/E1 ISOLATION MODULE

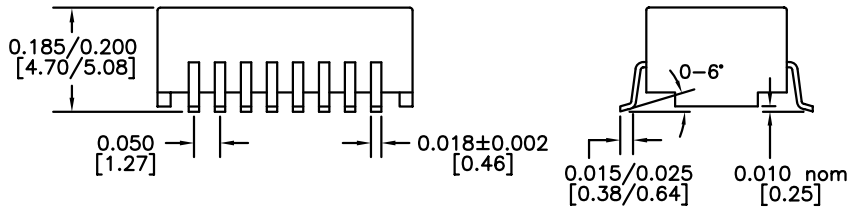
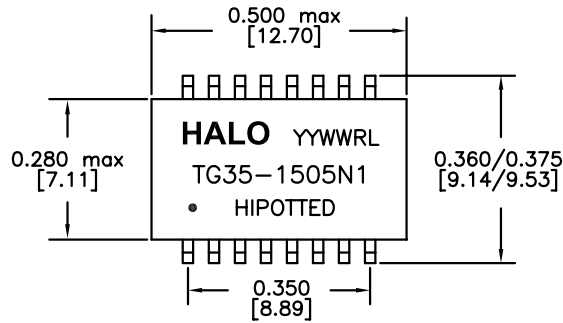
RoHS COMPLIANT

COMPATIBLE TO LEAD-FREE SOLDERING PROCESS

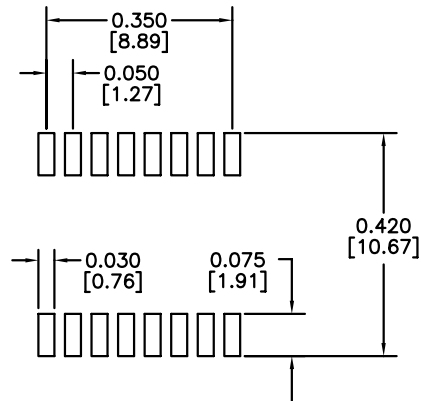
CONDITION PER IPC/JEDEC J-STD-020C

UL60950 REGOGNIZED

EXTENDED OPERATING TEMPERATURE -40/+85°C



DIMENSIONS: Inch [mm]  
CO-PLANARITY: 0.004 [0.10]  
TOLERANCES: ±0.005 INCH IF NOT SPECIFIED



RECOMMENDED SOLDER PAD DIMENSIONS

**ELECTRICAL SPECIFICATIONS @25° C**

TURNS RATIO

P16-14:P1-3

P6-8:P11-9

1CT:1.15CT±2%

1CT:1CT±2%

OCL (PRI)

1.5mH typ

DCR (PRI)

0.8Ω max

Cw/w

35pF max

LL (PRI)

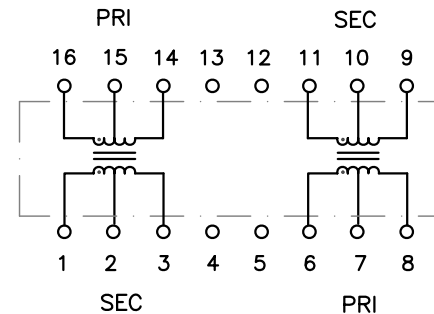
0.5μH max

CROSSTALK 0.5-5MHz

-60dB typ

ISOLATION

1,500Vrms



**HALO/PBL**

CALIFORNIA, USA  
KOWLOON, HONG KONG  
SINGAPORE

TITLE	SMT ISOLATION MODULE	SIGNATURES	DATE	REV.	DESC.	DATE
FOR	T1/E1 (1:1.15, 1:1)	DRAWN	PETER LU	9/11/06	A	
PART NO.	TG35-1505N1RL	CHECKED				
SCALE	NONE	APPROVED				
PAGE	1 OF 1	FILE	TG351505N1RL.DWG			