



PART NO. : TG37-1505NSRL

6PIN SMT T1/E1 ISOLATION TRANSFORMER

RoHS COMPLIANT

COMPATIBLE TO LEAD-FREE SOLDERING PROCESS
CONDITION PER IPC/JEDEC J-STD-020C

UL/EN60950 AND DEMKO RECOGNIZED

EXTENDED OPERATING TEMP. -40/+85°C

ELECTRICAL SPECIFICATIONS @25° C

URNS RATIO

P1-3:P6-4

1:1.14CT ±3%

OCL P1-3

1.5mH typ

DCR P1-3

0.8Ω max

LL P1-3

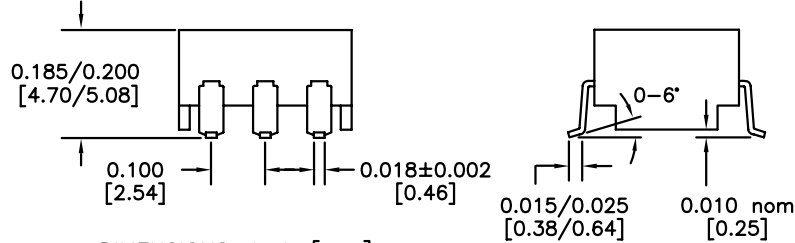
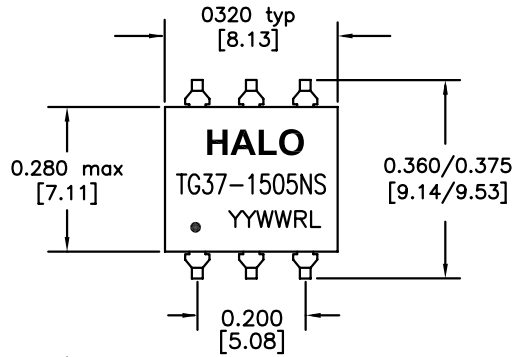
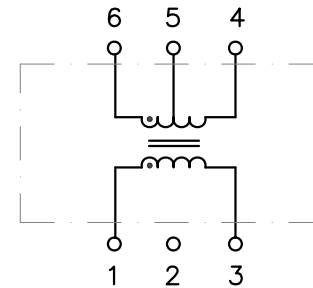
0.5μH max

Cw/w

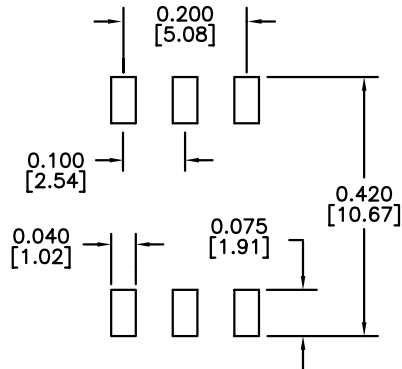
35pF max

ISOLATION

1,500Vrms



DIMENSIONS: Inch [mm]
CO-PLANARITY: 0.004 [0.10]
TOLERANCES: ±0.005 INCH IF NOT SPECIFIED



RECOMMENDED SOLDER PAD DIMENSIONS

HALO/PBL

CALIFORNIA, USA
KOWLOON, HONG KONG
SINGAPORE

TITLE	ISOLATION TRANSFORMER	SIGNATURES	DATE	REV.	DESC.	DATE
FOR	T1/E1 (1:1.14CT)	DRAWN	PETER LU	10/26/05	A	FIRST ISSUE
PART NO.	TG37-1505NSRL	CHECKED	LEI KEONG	5/4/09	B	PROD. RELEASE
SCALE	NONE	APPROVED	PETER LU	5/4/09		
PAGE	1 OF 1	FILE	1505NSRL.DWG			

