

10BASE-T Isolation Modules

Single Port 4.5kV SMD Package

HALO
ELECTRONICS, INC.



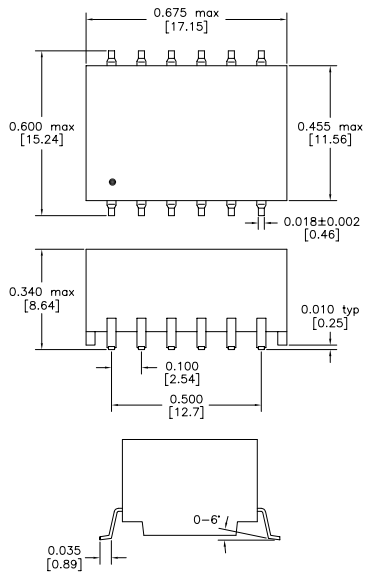
Product Features:

- Standard series of reinforced insulation 10BASE-T isolation modules to meet the requirements of 802.3 for UTP applications requiring a high level of isolation, including telecommunications
- 4.5kV Isolation
- Patented Open Frame Construction
- UL60950, IEC60950 and EN60950 recognized

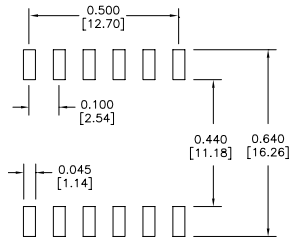
| Part Number | Turns Ratio $\pm 3\%$ (1-3:12-10) / (4-6:9-7) | Pri OCL (μH) | Cw/w (pF max) | Pri DCR (Ω max) | Schematic | Temp Range |
|---------------|--|------------------------------|------------------|----------------------------|-----------|---------------|
| TG41-4006NCRL | (1CT:1CT) / (1CT:2.5CT) | 200/35 Min | 10 | 0.5 | B | -40 to +85°C |
| TG42-4406NCRL | (1CT:1CT) / (1CT:1.41CT) | 140 Typ | 12 | 0.6 | A | 0 to +70°C |
| TG43-4406NCRL | (1CT:1CT) / (1CT:1.41CT) | 140 Typ | 15 | 0.6 | B | 0 to +70°C |
| TG74-4406NCRL | (1CT:1CT) / (1CT:2CT) | 140/25 Typ | 15 | 0.4 | A | 0 to +70°C |
| TG75-4406NCRL | (1CT:1CT) / (1CT:2CT) | 140/25 Typ | 15 | 0.6 | B | 0 to +70°C |
| TG92-4006NCRL | (1CT:1CT) / (1CT:2.5CT) | 200/35 Min | 15 | 0.5 | A | -40 to +85°C |

Reinforced 10BASE-T Isolation Modules

Package NC

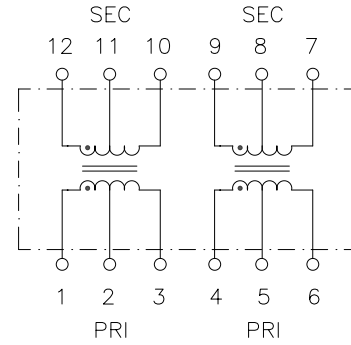


Dimensions are in inches [mm]
Co-Planarity: 0.004 [0.10]

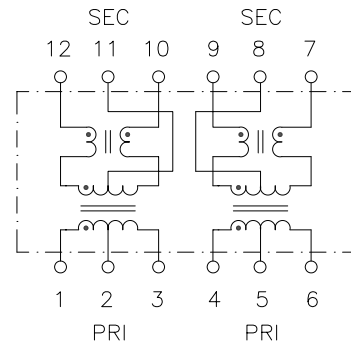


Recommended
Solder Pad Layout

Schematic A



Schematic B



US Patent Numbers

5,656,985 6,297,721 B1
6,297,720 B1 6,320,489 B1
6,344,785 B1 6,662,431 B1



2880 Lakeside Drive #116
Santa Clara, CA 95054
(650) 903-3800

www.haloelectronics.com

HALO® Electronics is a leading supplier of high quality communication magnetics including signal transformers, filters, CMR chokes, PoE power transformers, DC/DC converters, and integrated Ethernet connectors. HALO's leading edge technology solutions are manufactured in ISO9001 and ISO14001 factories offering high quality products at a competitive price.