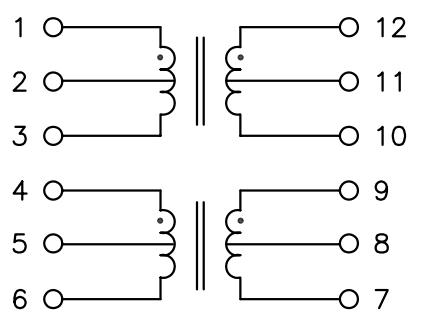


DIMENSIONS: Inch [mm]  
CO-PLANARITY: 0.004 [0.10]  
TOLERANCES: ±0.005 INCH IF NOT SPECIFIED



**PART NO. : TG74-1505NCRL**

T1/E1/CEPT/ISDN-PRI TRANSFORMER MODULE

12PIN SURFACE MOUNT PACKAGE

LEAD-FREE/RoHS COMPLIANT

COMPATIBLE TO LEAD-FREE SOLDERING PROCESS  
CONDITION PER IPC/JEDEC J-STD-020C

EXTENDED OPERATING TEMPERATURE -40/+85°C

**ELECTRICAL SPECIFICATIONS @25° C**

URNS RATIO

P1-3:P12-10

1CT:1CT±2%

P4-6:P9-7

1CT:2CT±2%

OCL P1-3,P4-6

1.5mH typ

DCR P1-3,P4-6

0.9Ω max

Cw/w

35pF max

LL P1-3,P4-6

0.5μH max

CROSSTALK 0.5-5MHz

-60dB typ

ISOLATION

1,500Vrms

**HALO/PBL**

CALIFORNIA, USA  
KOWLOON, HONG KONG  
SINGAPORE

<b>HALO/PBL</b>  CALIFORNIA, USA KOWLOON, HONG KONG SINGAPORE	TITLE	ISOLATION TRANSFORMERS	SIGNATURES	DATE	REV.	DESC.	DATE
	FOR	T1/E1 (1:1,1:2)	DRAWN	PETER LU	2/10/06	A	
	PART NO.	TG74-1505NCRL	CHECKED				
	SCALE	NONE	PAGE	1 OF 1	FILE	1505NCRL.DWG	