

PCMCIA DC/DC Converter

Low Profile SMD Isolation Modules



Product Features:

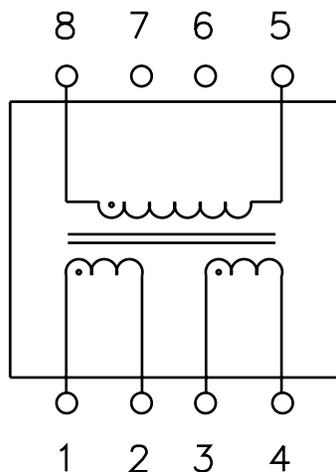
- The TGM-P3 series of 8 pin transformers provide the isolation and voltage outputs required for small, low cost DC/DC converter circuits.
- Designed specifically for use with the Maxim™ MAX845 monolithic oscillator/power drivers with 3.3V or 5V power source.
- DIL and SMD packages are also available with isolation voltages up to 4.5KVrms.
- Operating Temp: -40 to +85°C

Part Number	Circuit	Turns Ratio ($\pm 3\%$) PRI : SEC	Cw/w (pF Max.)	PRI LL ($\mu\text{H Typ.}$)	Isolation Vrms
TGM-010P3RL	A	1:1:1	12	0.40	500
TGM-020P3RL	A	1:1:0.75	12	0.40	500
TGM-030P3RL	A	1:1:1.5	12	0.40	500
TGM-040P3RL	B	1:1:1.3:1.3	12	0.40	500
TGM-050P3RL	B	1:1:1:1	12	0.40	500

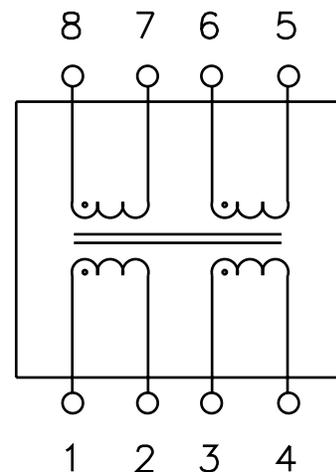
Notes:

1. PRI Pins: 1-2 & 3-4
2. PRI DCR: 0.6Ω Max.
3. PRI OCL: $240\mu\text{H Typ.}$
4. ET Constant: $5.5 \text{ V}\cdot\mu\text{s Min.}$
5. For more information, pertaining to the MAX845 please contact Maxim at (408) 737-7600. Maxim is a registered trademark of Maxim Integrated Products.

Schematic A

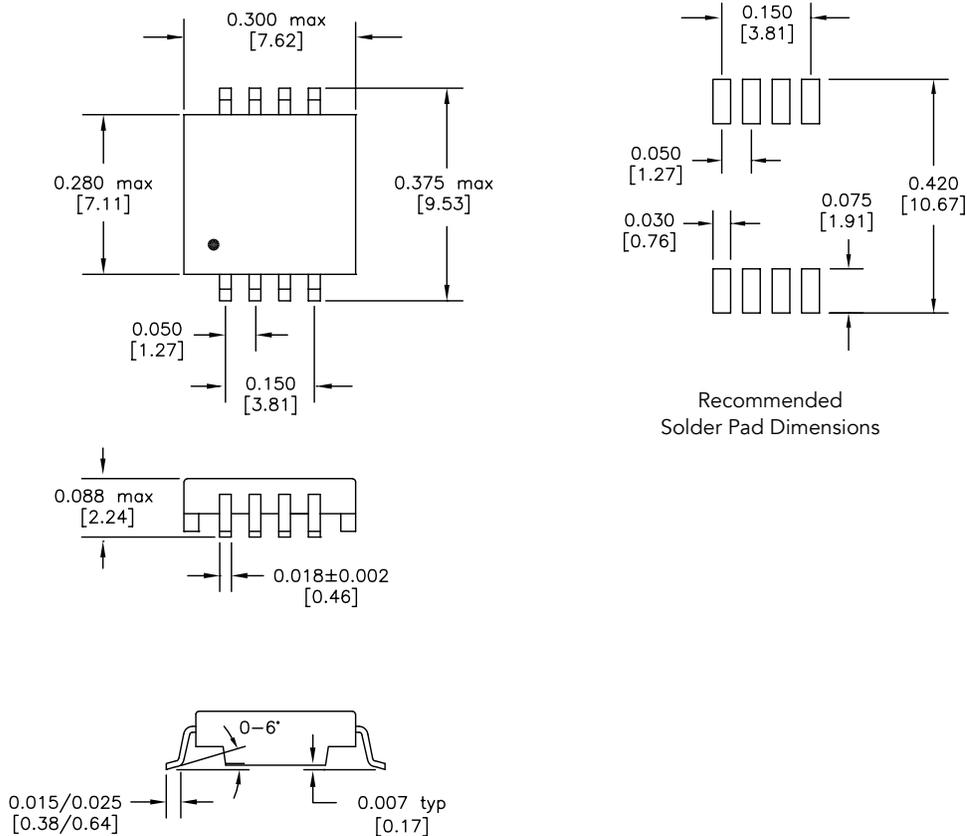


Schematic B



PCMCIA DC/DC Converter Isolation Modules

Package P3



Dimensions: inches [mm]
Co-Planarity: 0.004 [0.10]

US Patent Numbers for SMD Devices
 5,656,985 6,297,721 B1
 6,297,720 B1 6,320,489 B1
 6,344,785 B1 6,662,431 B1



2880 Lakeside Drive #116
 Santa Clara, CA 95054
 (650) 903-3800
www.haloelectronics.com

HALO® Electronics is a leading supplier of high quality communication magnetics including signal transformers, filters, CMR chokes, PoE power transformers, DC/DC converters, and integrated Ethernet connectors. HALO's leading edge technology solutions are manufactured in ISO9001 and ISO14001 factories offering high quality products at a competitive price.