

T3/DS3/E3/STS-1 Isolation Modules

SMD Reinforced Insulation Package



Product Features:

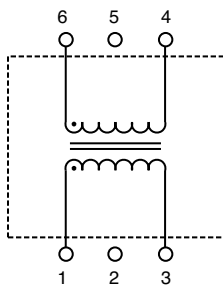
- Standard series of Isolation Modules to meet the return loss requirements of G.703 for T3, DS3, E3 and STS-1 applications.
- Designed to meet the reinforced insulation requirements of UL/EN60950.
- Isolation: 3,000 Vrms
- Additional turns ratios available

Part Number	Schematic	Pri Pins	Turns Ratio $\pm 2\%$ PRI : SEC	PRI OCL (μH min)	LL (μH max)
TGR01-3406V6LF	A	1-3	1:1	40	0.16
TGR04-3406V6LF	C	1-3	1CT:1CT	40	0.16
TGR07-3206V6LF	B	1-3	1:2CT	19	0.16
TGR23-3206V6LF	B	1-3	1:2.42CT	19	0.08

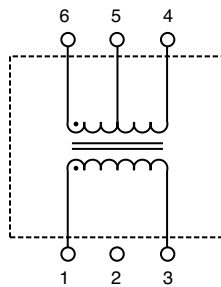
Notes:

1. Please contact the factory or your local representative for specific datasheets.
2. Operating temperature range 0 to 70°C. Extended temp ranges available.

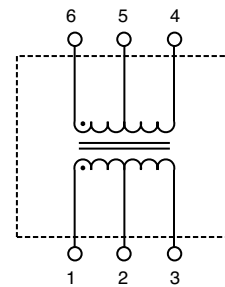
Schematic A



Schematic B

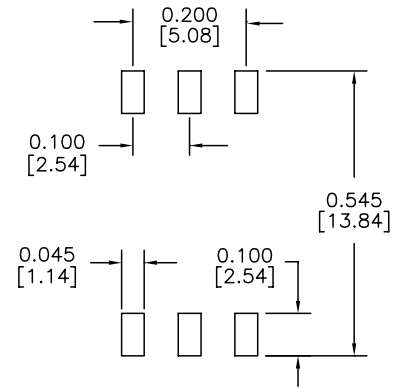
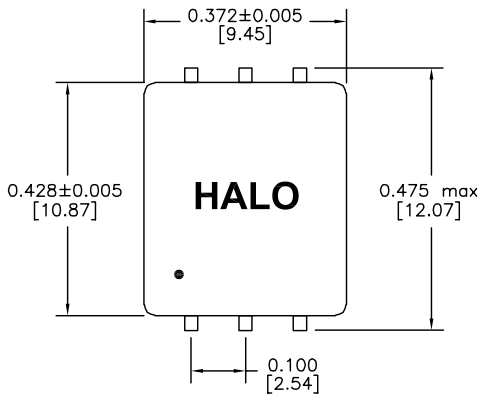


Schematic C

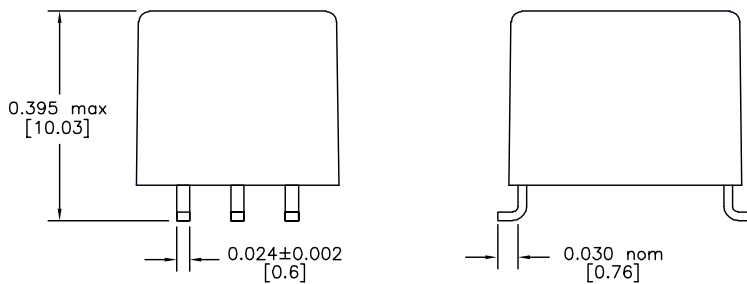


T3/DS3/E3/STS-1 Reinforced Insulation Isolation Modules

SMD V6 Package



Recommended Solder Pad Dimensions



Dimensions: inch [mm]
Co-Planarity: 0.004 [0.10]



2880 Lakeside Drive #116
Santa Clara, CA 95054
(650) 903-3800
www.haloelectronics.com

HALO® Electronics is a leading supplier of high quality communication magnetics including signal transformers, filters, CMR chokes, PoE power transformers, DC/DC converters, and integrated Ethernet connectors. HALO's leading edge technology solutions are manufactured in ISO9001 and ISO14001 factories offering high quality products at a competitive price.