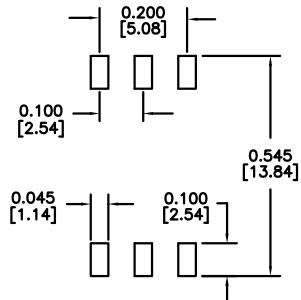
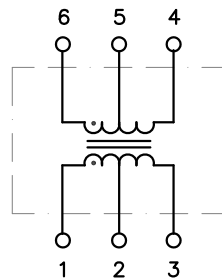


DIMENSIONS: Inch [mm]
 CO-PLANARITY: 0.004 [0.10]
 TOLERANCES: ±0.005 INCH IF NOT SPECIFIED



RECOMMENDED SOLDER PAD DIM



PART NUMBER: TGR04-6506V6LF

SMD ISOLATION TRANSFORMER

COMPATIBLE TO AUTOMOTIVE VERSION –
 TGR04-A6506NA6NL

LEAD-FREE/RoHS COMPLIANT

COMPATIBLE TO LEAD-FREE SOLDERING PROCESS
 CONDITION PER IPC/JEDEC J-STD-020C

UL60950 REINFORCED INSULATION FOR
 WORKING VOLTAGE UP TO 300V

OPERATING TEMPERATURE -40/+125°C

ELECTRICAL SPECIFICATIONS @25°C

TURNS RATIO P1-3:P6-4 OCL P1-3 (-40/+125°C) DCR P1-3 Cw/w LL P1-3 ISOLATION	1CT:1CT ±2% 150µH min 0.8Ω max 25pF max 0.6µH max 3,000Vrms
---	--



HALO/PBL	TITLE ISOLATION TRANSFORMER		SIGNATURES		DATE	REV.	DESC.	DATE
	FOR BMS		DRAWN LI ZHI ZHONG		3/25/13	A	FIRST ISSUE	3/25/13
	PART NO. TGR04-6506V6LF		CHECKED LEI KEONG		4/7/16	B	REV. P/N - NL	5/21/13
	SCALE NONE		PAGE 1 OF 1		APPROVED PETER LU	4/7/16	C	UPDATE SPEC.
CALIFORNIA, USA KOWLOON, HONG KONG SINGAPORE				FILE TGR04-6506V6LF.DWG		D	PROD. RELEASE	4/7/16