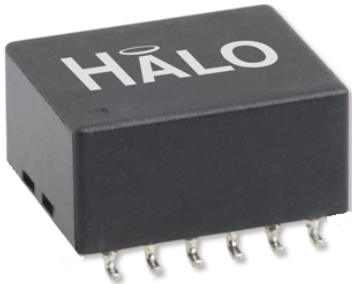


# 3.75kV Dual Line Interface Modules

12 Pin SMD Package

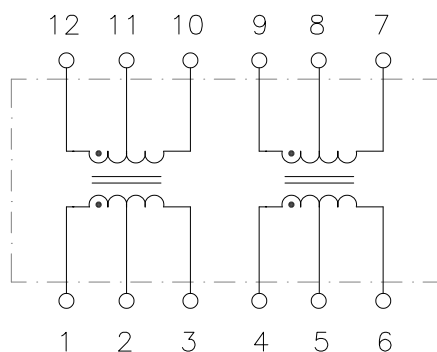


## Product Features:

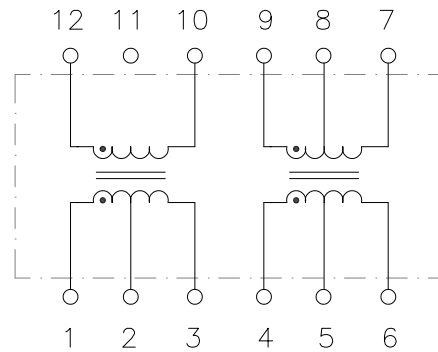
- Standard series of Reinforced Insulation, 3.75kV isolation voltage Line Interface Modules.
- This 12 pin SMD series provides the isolation and impedance match requirements for T1, E1, CEPT and PRI ISDN applications.
- Non-standard designs are also available.
- Temperature Range: -40 to +85°C
- Crosstalk (0.1 - 10MHz): -60dB Typ.

Part Number	Schematic	Turns Ratio PRI : SEC (±2%)	PRI OCL (mH Typ.)	PRI DCR (Ω Max.)	Cw/w (pF max.)	Primary Pins
TGR04-3755V12LF	A	1CT:1CT & 1CT:1CT	1.5	0.9	25	1-3 & 4-6
TGR23-3755V12LF	A	1CT:2.42CT & 1CT:2.42CT	1.5	0.9	25	1-3 & 4-6
TGR26-3755V12LF	A	1CT:2CT & 1CT:2CT	1.5	0.9	25	12-10 & 4-6
TGR27-3755V12LF	A	1CT:2CT & 1CT:1.36CT	1.5	0.9	25	12-10 & 4-6
TGR28-3755V12LF	A	1CT:1CT & 1CT : 1.36CT	1.5	0.9	25	12-10 & 4-6
TGR35-3755V12LF	A	1CT:1.15CT & 1CT:1CT	1.5	0.9	25	12-10 & 4-6
TGR38-3755V12LF	A	1CT:1.15CT & 1CT:1.15CT	1.5	0.9	25	1-3 & 4-6
TGR42-3755V12LF	A	1CT:1.41CT & 1CT:1.41CT	1.5	0.9	25	12-10 & 4-6
TGR63-3755V12LF	B	1:1.15CT & 1CT:2CT	1.5	0.9	25	12-10 & 4-6
TGR64-3755V12LF	A	1CT:1:1.26 & 1CT:2CT	1.5	0.9	25	12-10 & 4-6
TGR74-3755V12LF	A	1CT:1CT & 1CT : 2CT	1.5	0.9	25	12-10 & 4-6

Schematic A

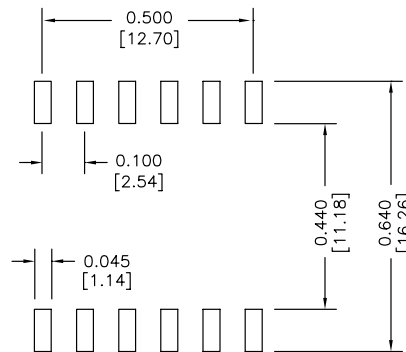
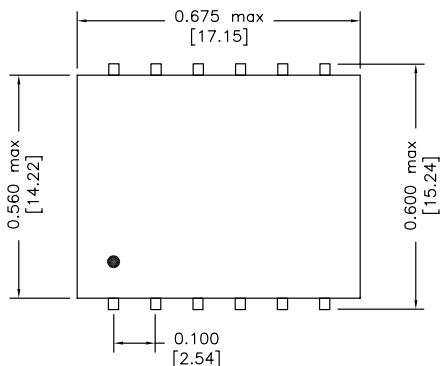


Schematic B

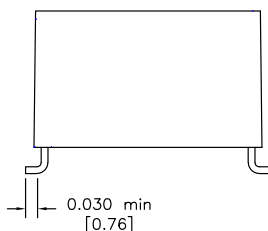
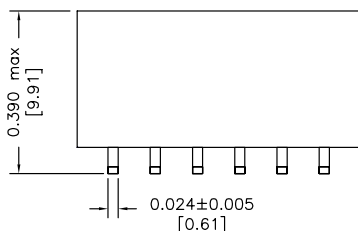


# 3.75kV SMD Dual Line Interface Modules

## Package V12



Recommended Solder Pad Dimensions



Dimensions: inches [mm]  
Co-Planarity: 0.004 [0.10]



2880 Lakeside Drive #116  
Santa Clara, CA 95054  
(650) 903-3800  
[www.haloelectronics.com](http://www.haloelectronics.com)

HALO® Electronics is a leading supplier of high quality communication magnetics including signal transformers, filters, CMR chokes, PoE power transformers, DC/DC converters, and integrated Ethernet connectors. HALO's leading edge technology solutions are manufactured in ISO9001 and ISO14001 factories offering high quality products at a competitive price.