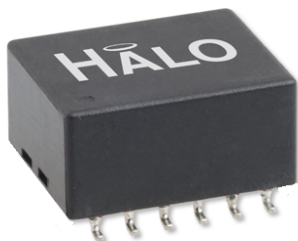


# 10BASE-T Isolation Modules

Single Port 4.5kV Reinforced SMD Transformer



## Product Features:

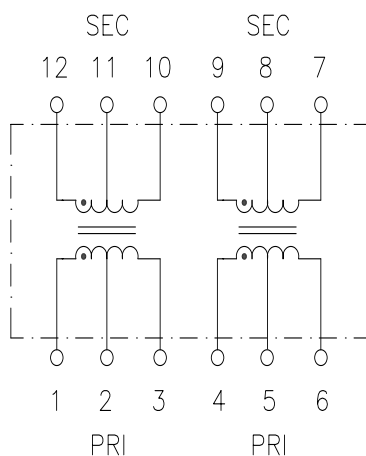
- Reinforced Insulation for 10BASE-T Applications
- IEEE 802.3i Compliant
- 4.5kV Isolation
- UL/EN6095 Recognized

Part Number	Turns Ratio $\pm 3\%$ (1-3:12-10) / (4-6:9-7)	Pri OCL ( $\mu\text{H}$ )	Cw/w (pF max)	Pri DCR ( $\Omega$ max)	Schematic	Temp Range	RoHS <sup>1</sup>
TGR41-4006V12LF	(1CT:1CT) / (1CT:2.5CT)	200/35 Min	10	0.5	B	-40 to +85°C	Pb-Free
TGR42-4406V12LF	(1CT:1CT) / (1CT:1.41CT)	140 Typ	12	0.6	A	0 to +70°C	Pb-Free
TGR43-4406V12LF	(1CT:1CT) / (1CT:1.41CT)	140 Typ	15	0.6	B	0 to +70°C	Pb-Free
TGR74-4406V12LF	(1CT:1CT) / (1CT:2CT)	140/25 Typ	15	0.4	A	0 to +70°C	Pb-Free
TGR75-4406V12LF	(1CT:1CT) / (1CT:2CT)	140/25 Typ	15	0.6	B	0 to +70°C	Pb-Free
TGR92-4006V12LF	(1CT:1CT) / (1CT:2.5CT)	200/35 Min	15	0.5	A	-40 to +85°C	Pb-Free

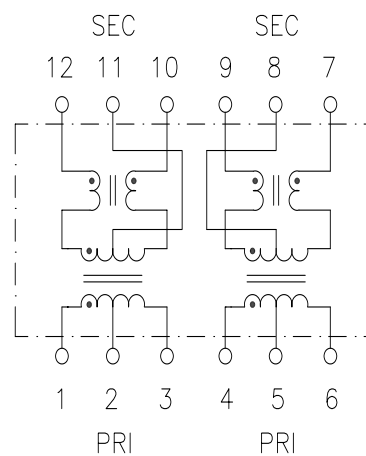
### Notes:

1. Please contact the factory or representative for individual datasheets or additional information.

## Schematic A

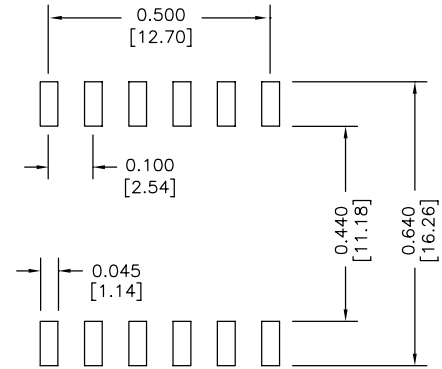
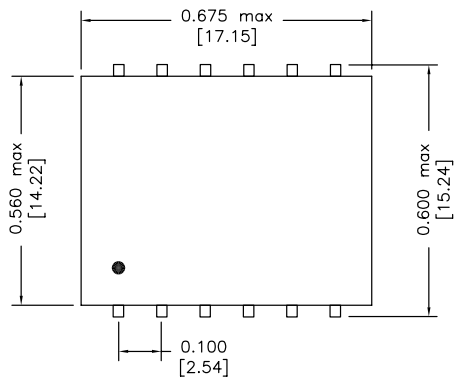


## Schematic B

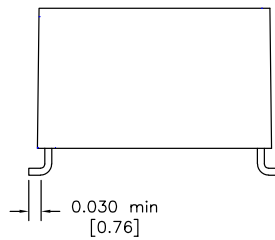
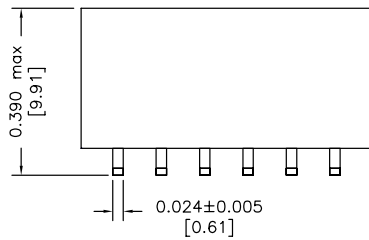


# Reinforced 10BASE-T Isolation Modules

## Package V12



Recommended  
Solder Pad Layout



Dimensions: inch [mm]  
Co-Planarity: 0.004 [0.10]



2880 Lakeside Drive #116  
Santa Clara, CA 95054  
(650) 903-3800

[www.haloelectronics.com](http://www.haloelectronics.com)

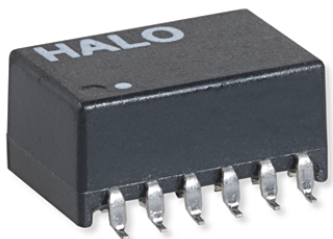
HALO® Electronics is a leading supplier of high quality communication magnetics including signal transformers, filters, CMR chokes, PoE power transformers, DC/DC isolation modules, and integrated Ethernet connectors. HALO's high quality and competitively priced leading edge technology solutions are manufactured in ISO9001 and ISO14001 factories.

© Copyright 2015 HALO Electronics, Inc. All rights reserved.

Revised 08/2015REVB. Download the latest version at [www.haloelectronics.com/pdf/discrete-smdreinf-10baset.pdf](http://www.haloelectronics.com/pdf/discrete-smdreinf-10baset.pdf)

# 10BASE-T Isolation Modules

Single Port 4.5kV SMD Package



## Product Features:

- Standard series of reinforced insulation 10BASE-T isolation modules to meet the requirements of 802.3 for UTP applications requiring a high level of isolation, including telecommunications
- 4.5kV Isolation
- Patented Open Frame Construction
- UL60950, IEC60950 and EN60950 recognized

Part Number	Turns Ratio $\pm 3\%$ (1-3:12-10) / (4-6:9-7)	Pr. OCL ( $\mu\text{H}$ )	Cw/w (pF max)	Pr. DCR ( $\Omega$ max)	Schematic	Temp Range
TG41-4006NCRL	(1CT:1CT) / (1CT:2.5CT)	200/35 Min	10	0.5	B	-40 to +85°C
TG42-4406NCRL	(1CT:1CT) / (1CT:1.41CT)	140 Typ	12	0.6	A	0 to +70°C
TG43-4406NCRL	(1CT:1CT) / (1CT:1.41CT)	140 Typ	15	0.6	B	0 to +70°C
TG74-4406NCRL	(1CT:1CT) / (1CT:2CT)	140/25 Typ	15	0.4	A	0 to +70°C
TG75-4406NCRL	(1CT:1CT) / (1CT:2CT)	140/25 Typ	15	0.6	B	0 to +70°C
TG92-4006NCRL	(1CT:1CT) / (1CT:2.5CT)	200/35 Min	15	0.5	A	-40 to +85°C