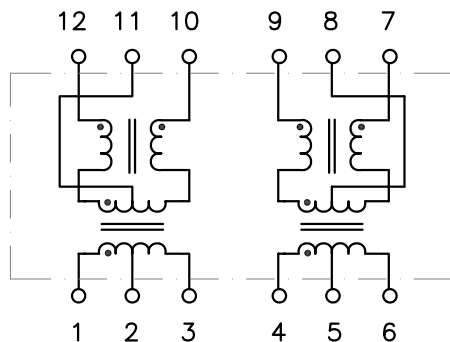


DIMENSIONS: Inch [mm]
CO-PLANARITY: 0.004 [0.10]
TOLERANCES: ±0.005 INCH IF NOT SPECIFIED



PART NO. : TGR43-E001NCRL

12PIN SMT ISOLATION MODULE
MEET REQUIREMENTS FOR 10BASE-T
FILTERLESS SOLUTION

REINFORCED INSULATION, 4500VRMS

RoHS COMPLIANT

COMPATIBLE TO LEAD-FREE SOLDERING PROCESS
CONDITION PER IPC/JEDEC J-STD-020C

EXTENDED OPERATING TEMPERATURE -40/+85°C

ELECTRICAL SPECIFICATIONS @25° C

URNS RATIO

P1-3:P12-10

1CT:1CT±3%

P4-6:P9-7

1CT:1.41CT±3%

OCL P1-3,P4-6

200µH min

DCR P1-3,P4-6

0.7Ω max

Cw/w

12pF max

LL P1-3,P4-6

0.5µH max

CMR 1-30MHz

-50dB typ

40-100MHz

-40dB typ

ISOLATION

4,500Vrms



HALO/PBL

CALIFORNIA, USA
KOWLOON, HONG KONG
SINGAPORE

TITLE ISOLATION MODULE

FOR 10BASE-T (1:1/1:1.41)

PART NO. TGR43-E001NCRL

SCALE NONE PAGE 1 OF 1

SIGNATURES

DRAWN PETER LU

CHECKED LEI KEONG

APPROVED PETER LU

FILE TGR43NCRL.DWG

DATE

4/30/08

6/4/08

6/4/08

REV.

A

B

DESC.

FIRST ISSUE

PROD. RELEASE

DATE

4/30/08

6/4/08