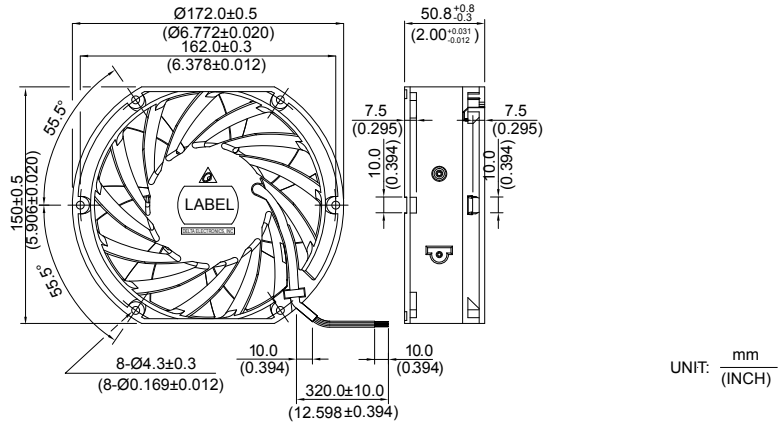


New



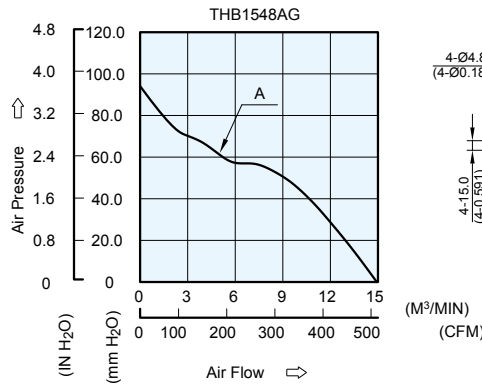
THB 172 x 150 x 50.8 MM SERIES

DIMENSIONS DRAWING

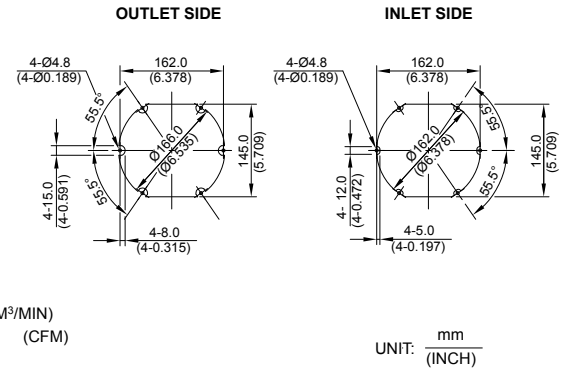


- * Bearing Type
Ball Bearings
- * Material
Impeller : Plastic(UL 94V-0)
Frame : Die-Cast Aluminun
- * Lead Wires :
UL1007 AWG#24 OR Equivalent
Black Wire Negative(-)
Red Wire Positive(+)
Blue Wire (F00)
Yellow Wire Speed Control (PWM)
- * Weight : 890g (31.39 oz)

P & Q CURVE (AT RATED VOLTAGE)



MOUNTING PANEL CUTOUT



MODEL		Rated Voltage	Operating Voltage Range	Input Current	Input Power	Speed	Maximum Air Flow		Maximum Air Pressure		Noise
PART NO.	FUNCTION	VDC	VDC	Amp	Watt	R.P.M.	m ³ /min	CFM	mmH ₂ O	IN H ₂ O	dB-A
THB1548AG	PWM/-F00	48	30.0 to 60.0	3.00	144.00	7500	14.930	527.47	95.92	3.780	77.0

* Function type is optional.
 * The max. air flow and the speed are measured in free air ; max. air pressure is measured at zero air flow.
 * Noise is measured in anechoic chamber in free air, one meter from intake side.
 * All readings are typical values at rated voltage.
 * Specifications are subject to change without notice.