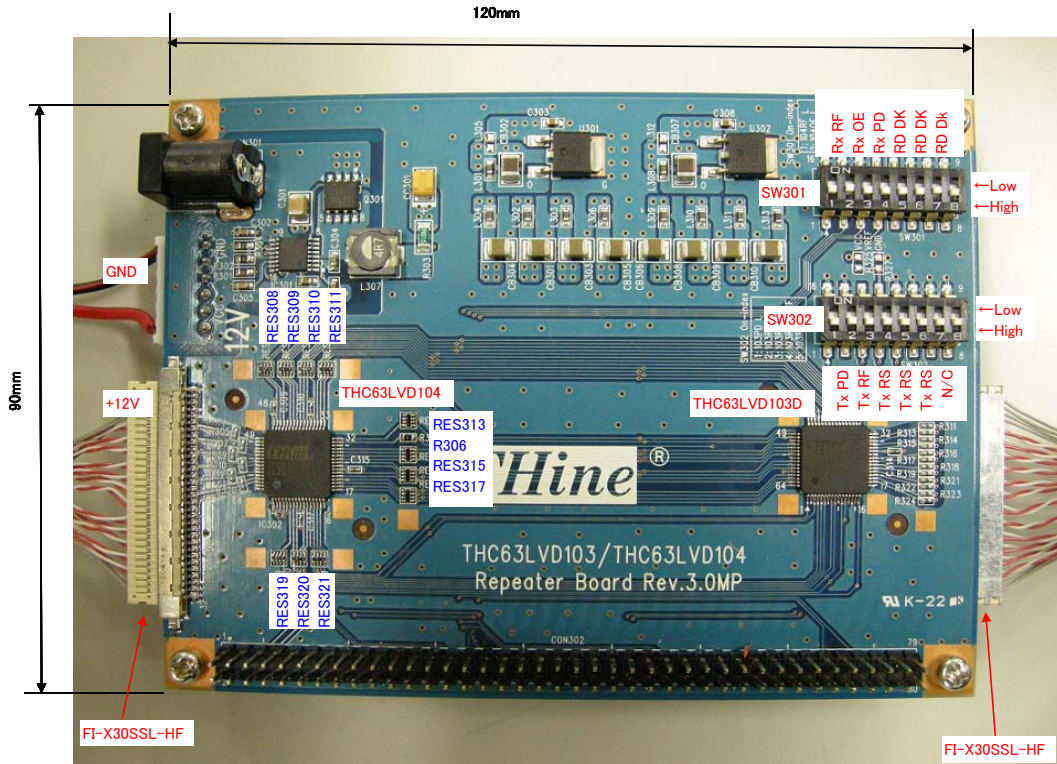
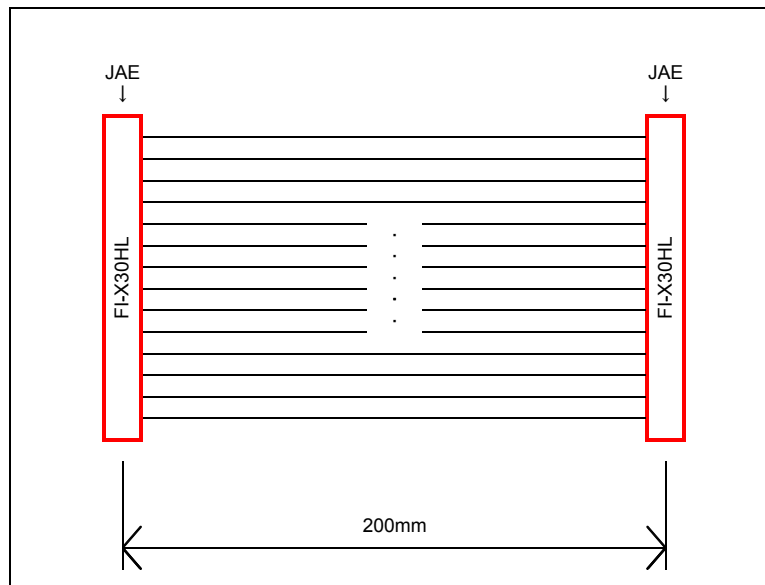


Description



LVDS-Cable Type.



SW301 Setting

* Def. : Default Setting

THC63LVD104S																										
SW Pin#	* Def.	NodeName	IC Pin#	PinName	Description																					
1	H	Rx RF	5	R/F	Output Clock Triggering Edge Select. H : Rising Edge L : Falling Edge																					
2	H	Rx OE	4	OE	Output Enable. H : Output enable. L : Output disable.																					
3	H	Rx PD	3	PD	Power down and Output Control. H : Normal operation L : Power down																					
4	H	Rx DK	2	DK	Output Clock Delay Timing Select. tRCP=Output Clock Cycle																					
5	H				<table border="1"> <thead> <tr> <th colspan="3">SW-Pin#</th> <th rowspan="2">Offset[nsec]</th> </tr> <tr> <th>4</th> <th>5</th> <th>6</th> </tr> </thead> <tbody> <tr> <td>L</td> <td>H(open)</td> <td>H(open)</td> <td>$3 \frac{tRCP}{14}$</td> </tr> <tr> <td>H(open)</td> <td>L</td> <td>H(open)</td> <td>$-3 \frac{tRCP}{14}$</td> </tr> <tr> <td>H(open)</td> <td>H(open)</td> <td>L</td> <td>0</td> </tr> </tbody> </table>			SW-Pin#			Offset[nsec]	4	5	6	L	H(open)	H(open)	$3 \frac{tRCP}{14}$	H(open)	L	H(open)	$-3 \frac{tRCP}{14}$	H(open)	H(open)	L	0
SW-Pin#					Offset[nsec]																					
4	5	6																								
L	H(open)	H(open)	$3 \frac{tRCP}{14}$																							
H(open)	L	H(open)	$-3 \frac{tRCP}{14}$																							
H(open)	H(open)	L	0																							
6	L																									
7	H	N/C	-	-	Non Connected																					
8	H																									

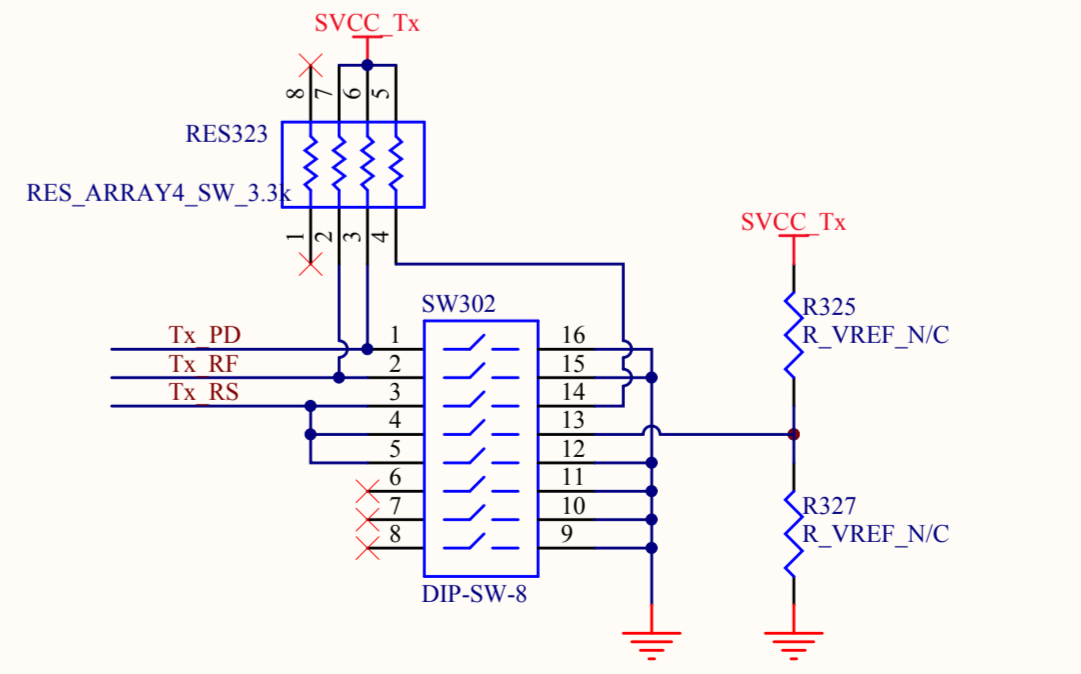
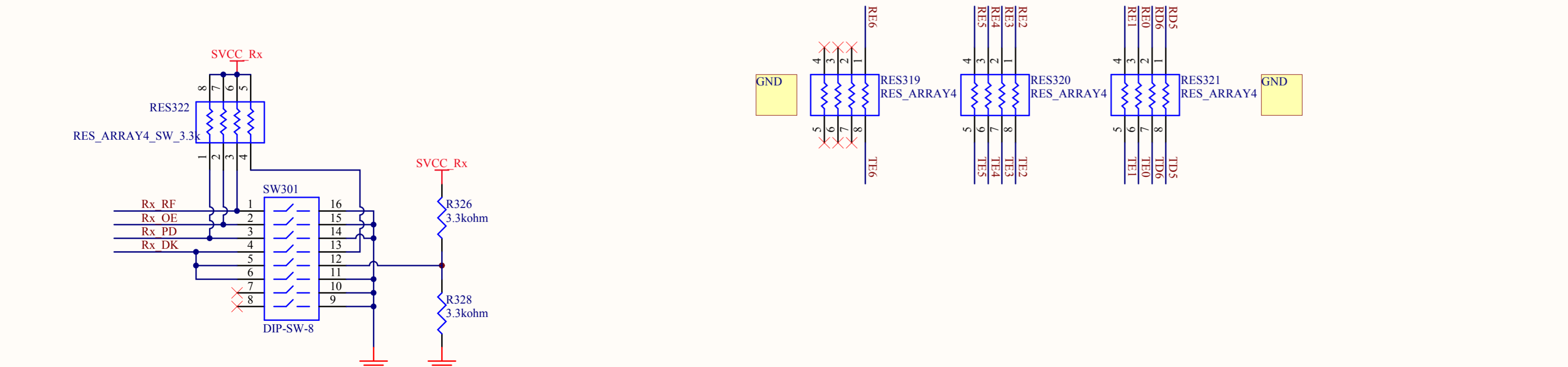
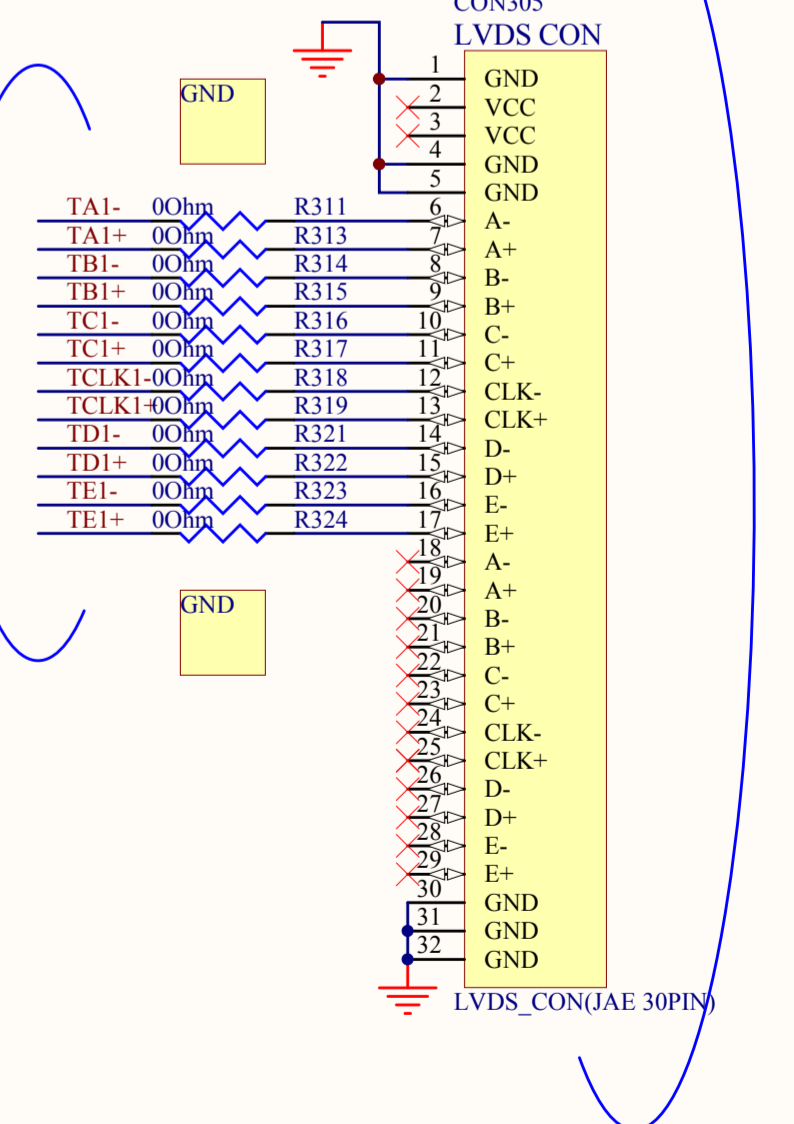
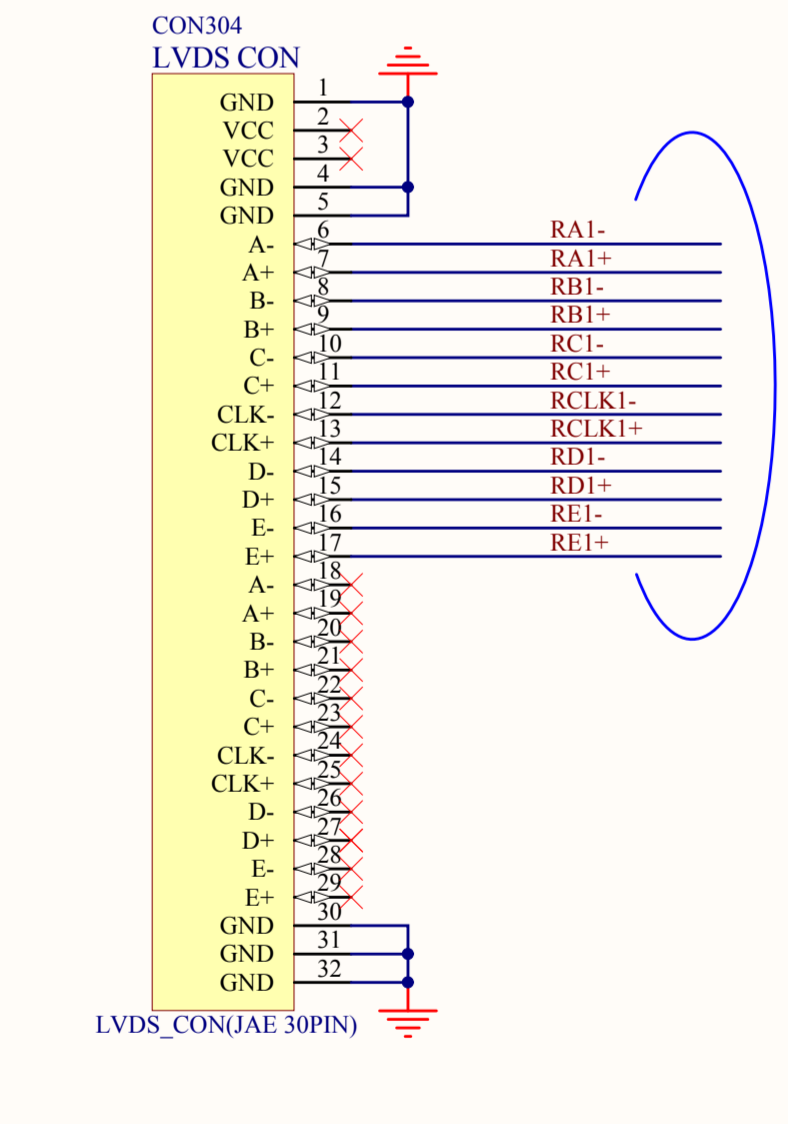
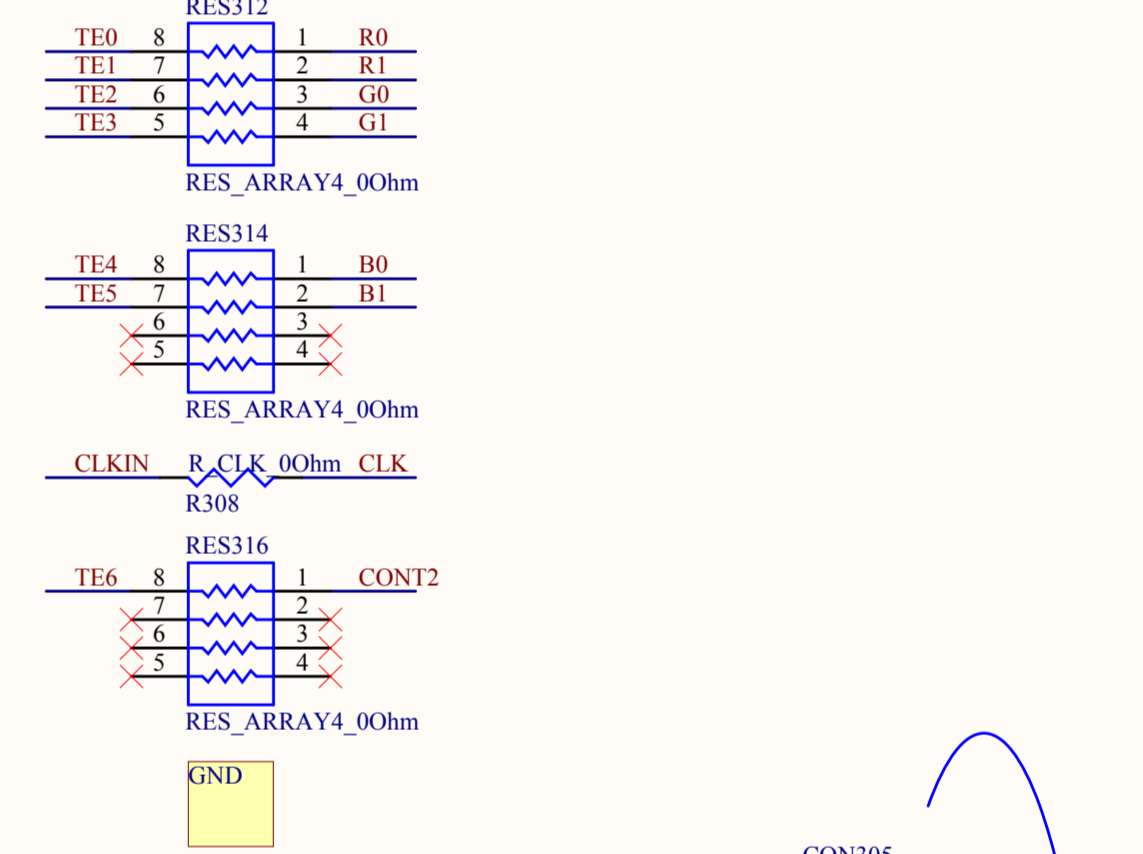
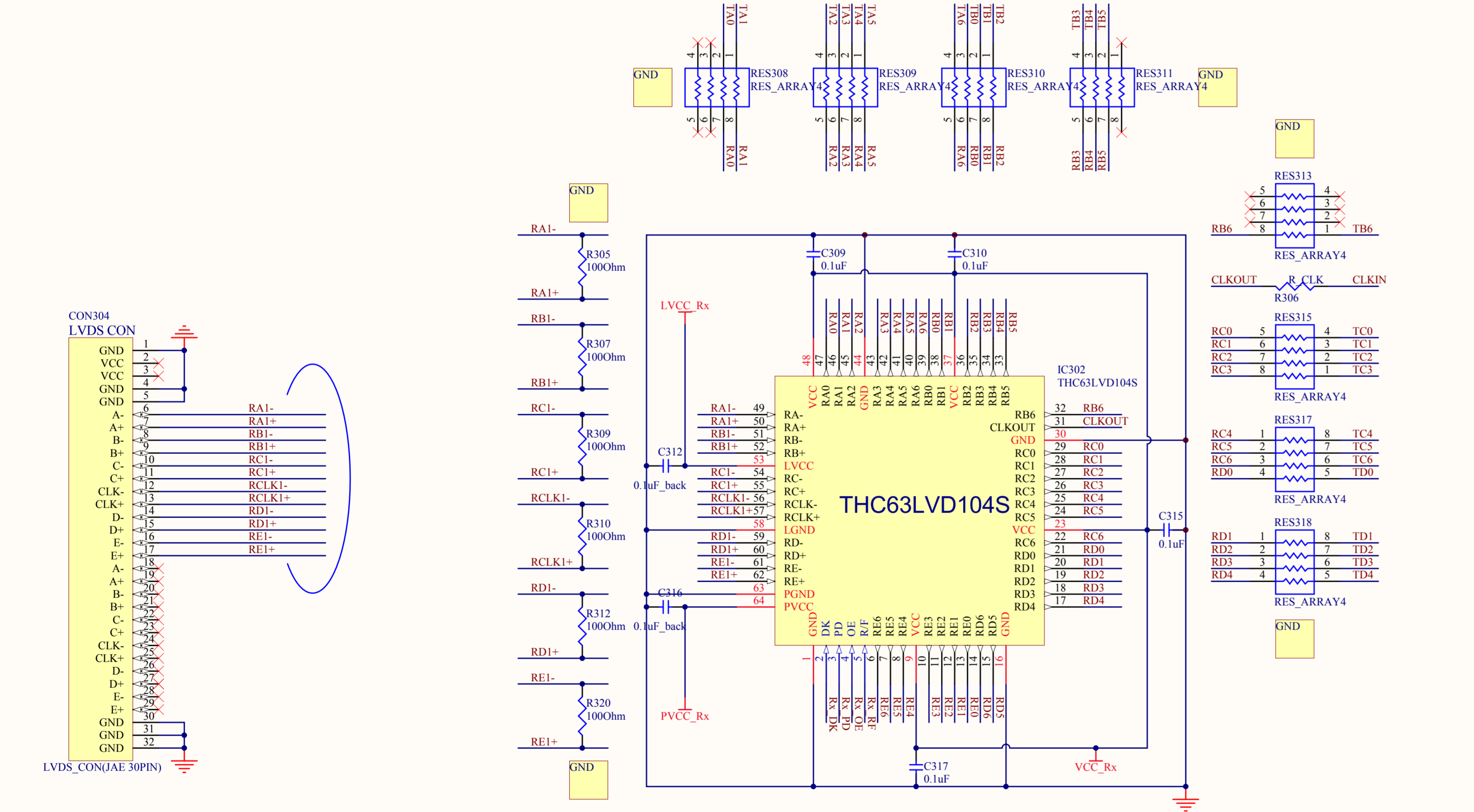
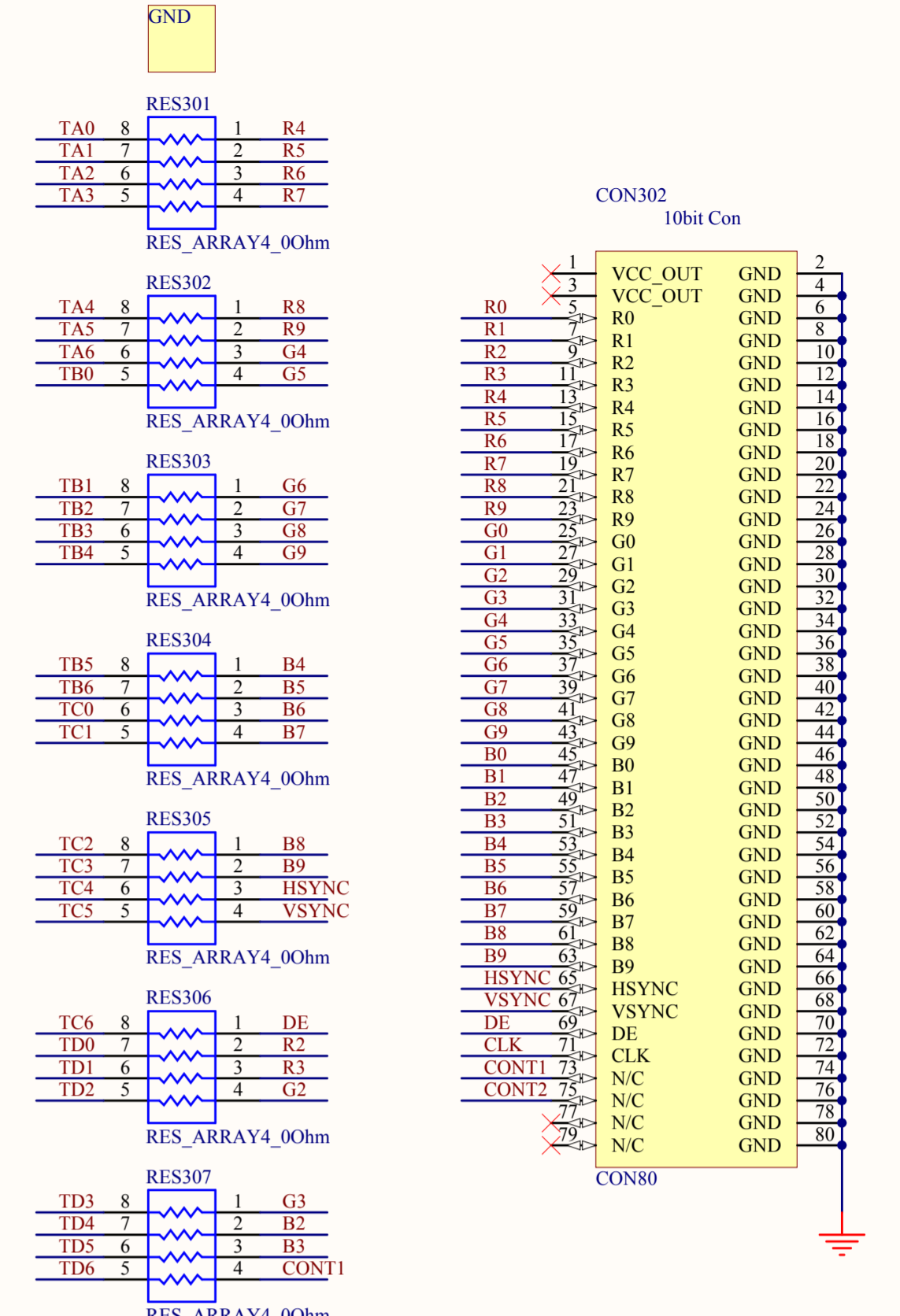
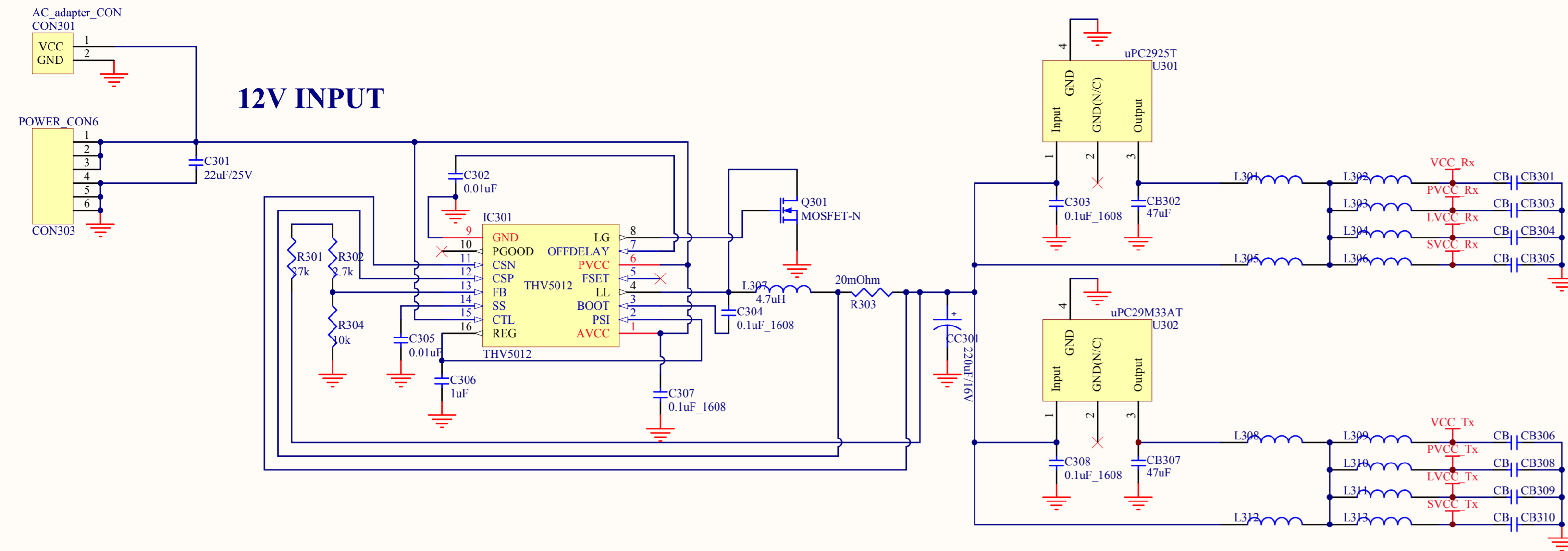
SW302 Setting

* Def. : Default Setting

THC63LVD103D																																		
SW Pin#	* Def.	Node Name	IC Pin#	PinName	Description																													
1	H	Tx PD	13	/PDWN	H : Normal operation, L : Power down (all outputs are Hi-Z)																													
2	H	Tx RF	60	R/F	Input Clock Triggering Edge Select. H : Rising edge, L : Falling edge																													
3	H	Tx RS	43	RS	LVDS swing mode, VREF select.																													
4	H				<table border="1"> <thead> <tr> <th colspan="3">SW-Pin#</th> <th rowspan="2">RS</th> <th rowspan="2">LVDS Swing</th> <th rowspan="2">Small Swing Input Support</th> </tr> <tr> <th>3</th> <th>4</th> <th>5</th> </tr> </thead> <tbody> <tr> <td>L</td> <td>H(open)</td> <td>H(open)</td> <td>VCC</td> <td>350mV</td> <td>N/A</td> </tr> <tr> <td>H(open)</td> <td>L</td> <td>H(open)</td> <td>0.6 ~ 1.4V</td> <td>350mV</td> <td>RS=VREF^a</td> </tr> <tr> <td>H(open)</td> <td>H(open)</td> <td>L</td> <td>GND</td> <td>200mV</td> <td>N/A</td> </tr> </tbody> </table>			SW-Pin#			RS	LVDS Swing	Small Swing Input Support	3	4	5	L	H(open)	H(open)	VCC	350mV	N/A	H(open)	L	H(open)	0.6 ~ 1.4V	350mV	RS=VREF ^a	H(open)	H(open)	L	GND	200mV	N/A
SW-Pin#					RS	LVDS Swing	Small Swing Input Support																											
3	4	5																																
L	H(open)	H(open)	VCC	350mV	N/A																													
H(open)	L	H(open)	0.6 ~ 1.4V	350mV	RS=VREF ^a																													
H(open)	H(open)	L	GND	200mV	N/A																													
5	L				a.) VREF is Input Reference Voltage.																													
6	H	N/C	-	-	Non Connected																													
7	H																																	
8	H																																	

Measures Type

#	Type	Un-Mount	0Ω-Mount	33Ω-Mount
1		RES301 RES302 RES303 RES304 RES305 RES306 RES307 RES312 RES314 RES316 R308		RES308 RES309 RES310 RES311 RES313 RES315 RES317 RES318 RES319 RES320 RES321 R306
2			RES301 RES302 RES303 RES304 RES305 RES306 RES307 RES312 RES314 RES316 R308	RES308 RES309 RES310 RES311 RES313 RES315 RES317 RES318 RES319 RES320 RES321 R306
3		THC63LVD103D	RES301 RES302 RES303 RES304 RES305 RES306 RES307 RES312 RES314 RES316 R308	RES308 RES309 RES310 RES311 RES313 RES315 RES317 RES318 RES319 RES320 RES321 R306
4		RES308 RES309 RES310 RES311 RES313 RES315 RES317 RES318 RES319 RES320 RES321 R306	RES301 RES302 RES303 RES304 RES305 RES306 RES307 RES312 RES314 RES316 R308	



Title		
THC63LVD103/104 Repeater Board Rev.3.0MP		
Size	Number	Revision
A2		
Date:	2007/11/29	Sheet of
File:	C:\rain\104S_103Drev3mp_E.SCHDOC	Drawn By: Rei Fujiki

Comment	Designator	Description	Package	Manufacturer	Quantity
22uF/25V	C301	Capacitor	SMT3225		1
0.01uF	C302, C305	Capacitor	SMT1608		2
0.1uF_1608	C303, C304, C307,	Capacitor	SMT1608		4
1uF	C306	Capacitor	SMT1608		1
0.1uF	C309, C310, C314, C315, C317	Capacitor	SMT0603		5
0.1uF_back	C311, C312, C313, C316, C318, C319	Capacitor	SMT1608		6
CB	CB301, CB303, CB304, CB305, CB306, CB308, CB309, CB310	GRM32EB11A106KC01	SMT3225	murata	8
47uF	CB302, CB307	Capacitor	SMT3225		2
220uF/16V	CC301	T520B157M006ATE045	SMT3528	KEMET	1
AC_adapter_CON	CON301	MJ-179P	DC Jack : Mating Plug 5.5x2.1	Marushin	1
CON80	CON302	2x40 Pin Header	2.54mm pitch (2x40pin)		1
POWER_CON6	CON303	S 6B-EH	2.5mm pitch 6pin	JST	1
LVDS_CON(JAE 30PIN)	CON304, CON305	FI-X30SSL-HF	FI-X30SSL-HF	JAE	2
THV5012	IC301	THV5012	TSSOP16 Pins	THine	1
THC63LVD104S	IC302	THC63LVD104S	TQFP 64pin	THine	1
THC63LVD103D	IC303	THC63LVD103D	TQFP 64pin	THine	1
L	L301, L302, L303, L304, L305, L306, L308, L309, L310, L311, L312, L313	MPZ1608B471A	SMT1608	TDK	12
4.7uH	L307	RLF7030T-4R7M3R4	RLF Series	TDK	1
MOSFET-N	Q301	uPA2706	Power HSOP	NEC	1
27k	R301	Resistance	SMT1608		1
2.7k	R302	Resistance	SMT1608		1
20mOhm	R303	RL1632T-R015-G	SMT3216	Susumu	1
10k	R304	Resistance	SMT1608		1
1000hm	R305, R307, R309, R310, R312, R320	Resistor	SMT1005		6
R_CLK	R306	Resistor 33ohm	SMT1005		1
R_CLK_00hm	R308	Resistor	SMT1005		1
00hm	R311, R313, R314, R315, R316, R317, R318, R319, R321, R322, R323, R324	Resistor	SMT1005		12
R_VREF_N/C	R325, R327	Resistance	SMT1608		2
3.3kohm	R326, R328	Resistance	SMT1608		2
RES_ARRAY4_00hm	RES301, RES302, RES303, RES304, RES305, RES306, RES307, RES312, RES314, RES316	Resistor Array	SMT 2010		10
RES_ARRAY4	RES308, RES309, RES310, RES311, RES313, RES315, RES317, RES318, RES319, RES320, RES321	Resistor Array 33ohm	SMT 2010		11
RES_ARRAY4_SW_3.3k	RES322, RES323	Resistor Array	SMT 2010		2
DIP-SW-8	SW301, SW302	A6S-8104	A6S-8104	omron	2
uPC2925T	U301	uPC2925T	SC-63	NEC	1
uPC29M33AT	U302	uPC2933AT-AZ	SC-63	NEC	1