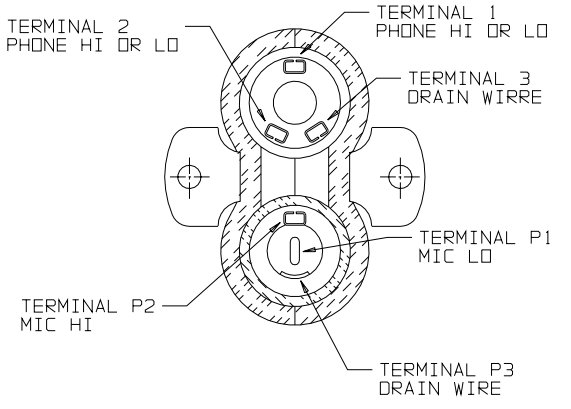
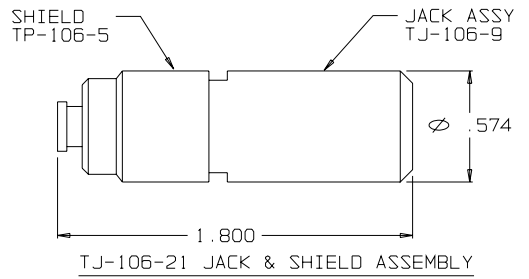
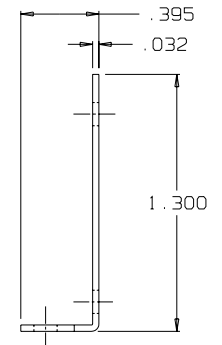
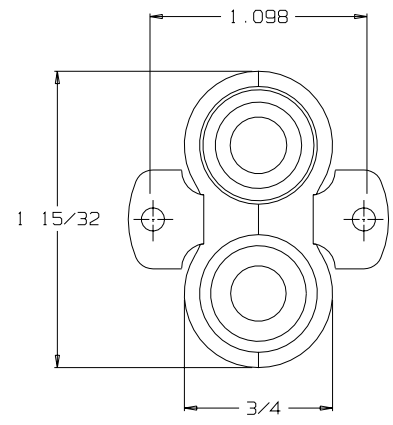
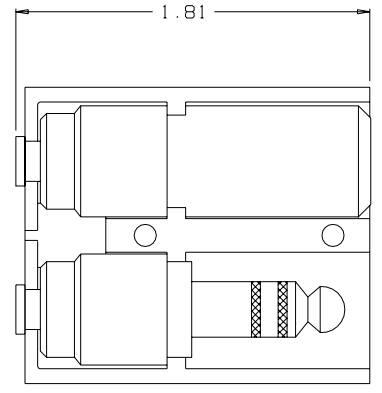


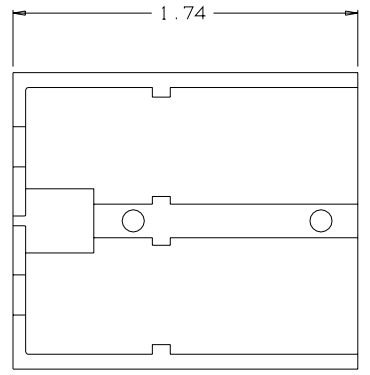
C TJ-106PM



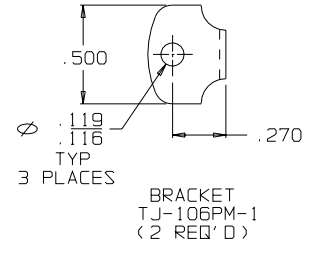
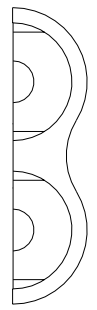
SECTION A-A



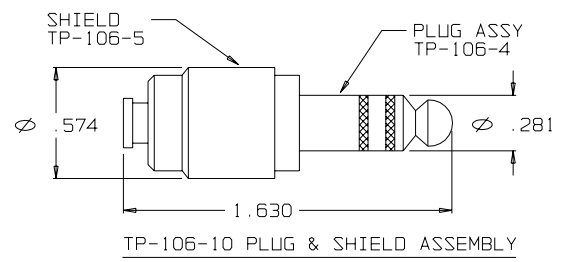
TJ-106-21 JACK & SHIELD ASSEMBLY



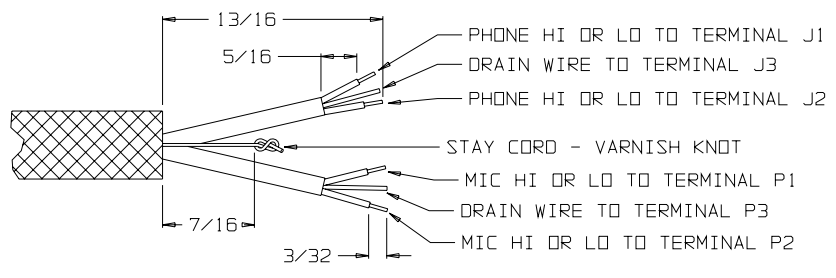
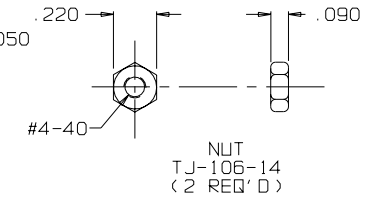
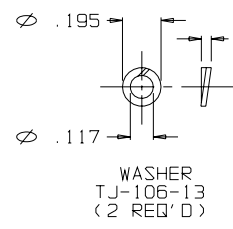
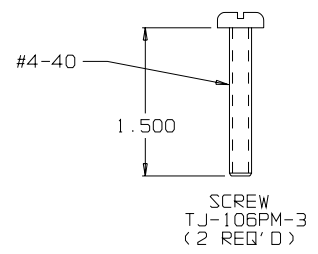
SHELL HALF TJ-106PM-1 (2 REQ'D)



BRACKET TJ-106PM-1 (2 REQ'D)



TP-106-10 PLUG & SHIELD ASSEMBLY



THIS DOCUMENT CONTAINS PROPRIETARY INFORMATION OF NEXUS, INCORPORATED AND SUCH INFORMATION MAY NOT BE DISCLOSED TO OTHERS FOR ANY PURPOSE OR USED FOR ANY PURPOSE WITHOUT THE WRITTEN CONSENT OF NEXUS.

DWN BY EWT	DATE 12/9/05	MATERIAL SEE FIELD OF DRAWING	
CHECKED BY	DATE	FINISH N/A	
APPR BY	DATE	WEIGHT	SCALE 2:1
UNLESS OTHERWISE SPECIFIED DIMENSIONS ARE IN INCHES TOLERANCES ON		TITLE TELEPHONE JACK PANEL MOUNT 6 CONDUCTOR	
.XX	.XXX	SIZE C	
± .02	± .003	DWS. NO. TJ-106PM	
ANGLES ± 5°		DD NOT SCALE DWG.	SHEET 1 OF 1

LET.	REVISION	CN #	DATE	CHK.