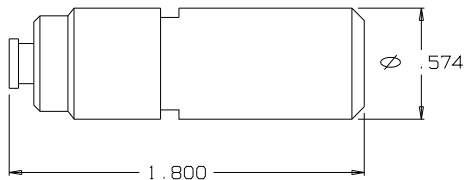
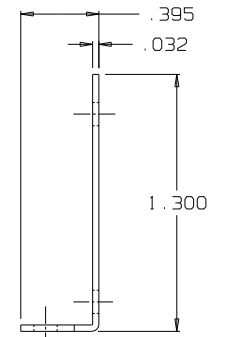
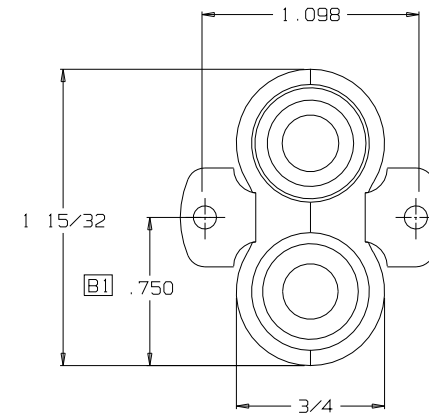
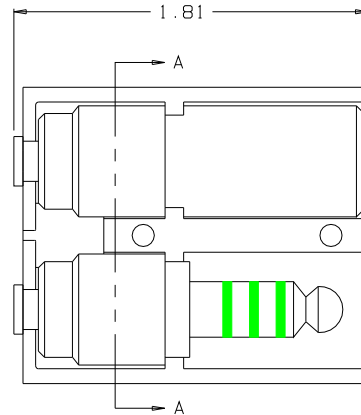
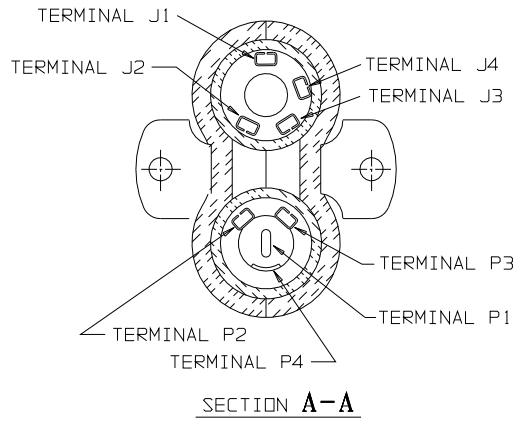
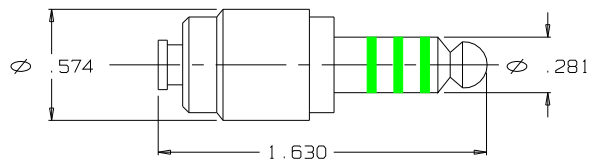


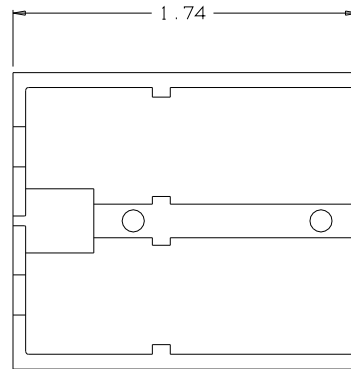
C TJ-108PM



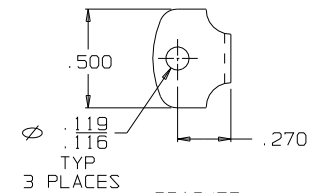
JACK & SHIELD ASSEMBLY
TJ-108-10 (1 REQ'D)



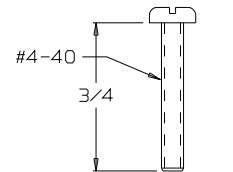
PLUG & SHIELD ASSEMBLY
TP-108-6 (1 REQ'D)



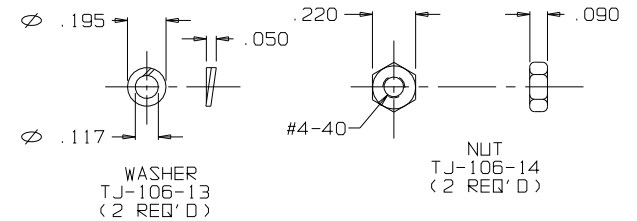
SHELL HALF
TJ-106PM-2
(2 REQ'D)



BRACKET
TJ-106PM-1
(2 REQ'D)

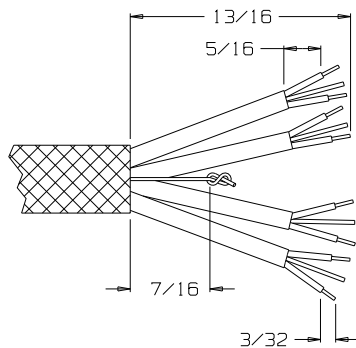


SCREW
TJ-106PM-3
(2 REQ'D)



WASHER
TJ-106-13
(2 REQ'D)

NUT
TJ-106-14
(2 REQ'D)



THIS DOCUMENT CONTAINS PROPRIETARY INFORMATION OF NEXUS, INCORPORATED AND SUCH INFORMATION MAY NOT BE DISCLOSED TO OTHERS FOR ANY PURPOSE OR USED FOR ANY PURPOSE WITHOUT THE WRITTEN CONSENT OF NEXUS.

DWN. BY	EWT	DATE	12/9/05	MATERIAL	SEE FIELD OF DRAWING
CHECKED BY	EWT	DATE	5/12/06	FINISH	N/A
APPR. BY		DATE		WEIGHT	SCALE 2:1
UNLESS OTHERWISE SPECIFIED DIMENSIONS ARE IN INCHES TOLERANCES ON				TITLE	
.XX .XXX ANGLES				TELEPHONE JACK	
± .02 ± .003 ± .5°				PANEL MOUNT	
				8 CONDUCTOR	
				DO NOT SCALE DWG. SHEET 1 OF 1	
				NEXUS STAMFORD, CONN	
				SIZE DWG. NO.	
				C TJ-108PM	

B	1. ADD .750 DIMENSION.	047	2/24/10	GPH
A	INITIAL RELEASE	045	5/12/06	EWT
LET.	REVISION	CN #	DATE	CHK.