

# TJA1021

ISO 17987/LIN 2.x/SAE J2602 transceiver

Rev. 9 — 10 February 2023

Product data sheet

## 1 General description

---

The TJA1021 is the interface between the Local Interconnect Network (LIN) commander/responder protocol controller and the physical bus in a LIN. It is primarily intended for in-vehicle sub-networks using baud rates from 1 kBd up to 20 kBd (/20 and B variants) and is compliant with LIN 2.0, LIN 2.1, LIN 2.2, LIN 2.2A, SAE J2602 and ISO 17987-4:2016 (12 V). The TJA1021 is pin-to-pin compatible with the TJA1020 and MC33662(B).

The transmit data stream of the protocol controller at the transmit data input (TXD) is converted by the TJA1021 into a bus signal with optimized slew rate and wave shaping to minimize ElectroMagnetic Emission (EME). The LIN bus output pin is pulled HIGH via an internal termination resistor. For a commander application, an external resistor in series with a diode should be connected between pin INH or pin V<sub>BAT</sub> and pin LIN. The receiver detects the data stream at the LIN bus input pin and transfers it via pin RXD to the microcontroller.

In Sleep mode, the power consumption of the TJA1021 is very low. In failure modes, the power consumption is reduced to a minimum.

## 2 Features and benefits

---

### 2.1 General

- LIN 2.x/ISO 17987-4:2016 (12 V)/SAE J2602 compliant
- Baud rate up to 20 kBd (/20 and B variants)
- Very low ElectroMagnetic Emission (EME)
- High ElectroMagnetic Immunity (EMI)
- Passive behavior in unpowered state
- Input levels compatible with 3.3 V and 5 V devices
- Integrated termination resistor for LIN responder applications
- Wake-up source recognition (local or remote)
- K-line compatible
- Pin-to-pin compatible with TJA1020 and MC33662(B)
- Available in SO8 and HVSON8 packages
- Leadless HVSON8 package (3.0 mm × 3.0 mm) with low thermal resistance supporting Automated Optical Inspection (AOI) capability

### 2.2 Low power management

- Very low current consumption in Sleep mode with local and remote wake-up



2.3 Protection mechanisms

- High ESD robustness: ±6 kV according to IEC 61000-4-2 for pins LIN, V<sub>BAT</sub> and WAKE<sub>N</sub>
- Transmit data (TXD) dominant time-out function
- Bus terminal and battery pin protected against transients in the automotive environment (ISO 7637)
- Bus terminal short-circuit proof to battery and ground
- Thermally protected

3 Quick reference data

Table 1. Quick reference data

Symbol	Parameter	Conditions	Min	Typ	Max	Unit
V <sub>BAT</sub>	battery supply voltage	limiting value with respect to GND	-0.3	-	+40	V
I <sub>BAT</sub>	battery supply current	Sleep mode; V <sub>LIN</sub> = V <sub>BAT</sub> ; V <sub>WAKE_N</sub> = V <sub>BAT</sub> ; V <sub>TXD</sub> = 0 V; V <sub>SLP_N</sub> = 0 V	2	7	10	μA
		Standby mode; bus recessive V <sub>INH</sub> = V <sub>BAT</sub> ; V <sub>LIN</sub> = V <sub>BAT</sub> ; V <sub>WAKE_N</sub> = V <sub>BAT</sub> ; V <sub>TXD</sub> = 0 V; V <sub>SLP_N</sub> = 0 V	150	450	1000	μA
		Standby mode; bus dominant V <sub>BAT</sub> = 12 V; V <sub>INH</sub> = 12 V; V <sub>LIN</sub> = 0 V; V <sub>WAKE_N</sub> = 12 V; V <sub>TXD</sub> = 0 V; V <sub>SLP_N</sub> = 0 V	300	800	1200	μA
		Normal mode; bus recessive V <sub>INH</sub> = V <sub>BAT</sub> ; V <sub>LIN</sub> = V <sub>BAT</sub> ; V <sub>WAKE_N</sub> = V <sub>BAT</sub> ; V <sub>TXD</sub> = 5 V; V <sub>SLP_N</sub> = 5 V	300	800	1600	μA
		Normal mode; bus dominant V <sub>BAT</sub> = 12 V; V <sub>INH</sub> = 12 V; V <sub>WAKE_N</sub> = 12 V; V <sub>TXD</sub> = 0 V; V <sub>SLP_N</sub> = 5 V	1	2	4	mA
V <sub>LIN</sub>	voltage on pin LIN	limiting value with respect to GND, V <sub>BAT</sub> and V <sub>WAKE_N</sub>	-40	-	+40	V
T <sub>vj</sub>	virtual junction temperature	limiting value	-40	-	+150	°C

### 4 Ordering information

Table 2. Ordering information

Type number <sup>[1]</sup>	Package		Version
	Name	Description	
TJA1021T/10 TJA1021T/20 TJA1021AT TJA1021BT	SO8	plastic small outline package; 8 leads; body width 3.9 mm	SOT96-1
TJA1021TK/10 TJA1021TK/20 TJA1021ATK TJA1021BTK	HVSON8	plastic thermal enhanced very thin small outline package; no leads; 8 terminals; body 3 × 3 × 0.85 mm	SOT782-1

[1] TJA1021T(K)/10 and TJA1021AT(K): low slope variants supporting baud rates up to 10.4 kBd (SAE J2602);  
TJA1021T(K)/20 and TJA1021BT(K): normal slope variants supporting baud rates up to 20 kBd.

### 5 Block diagram

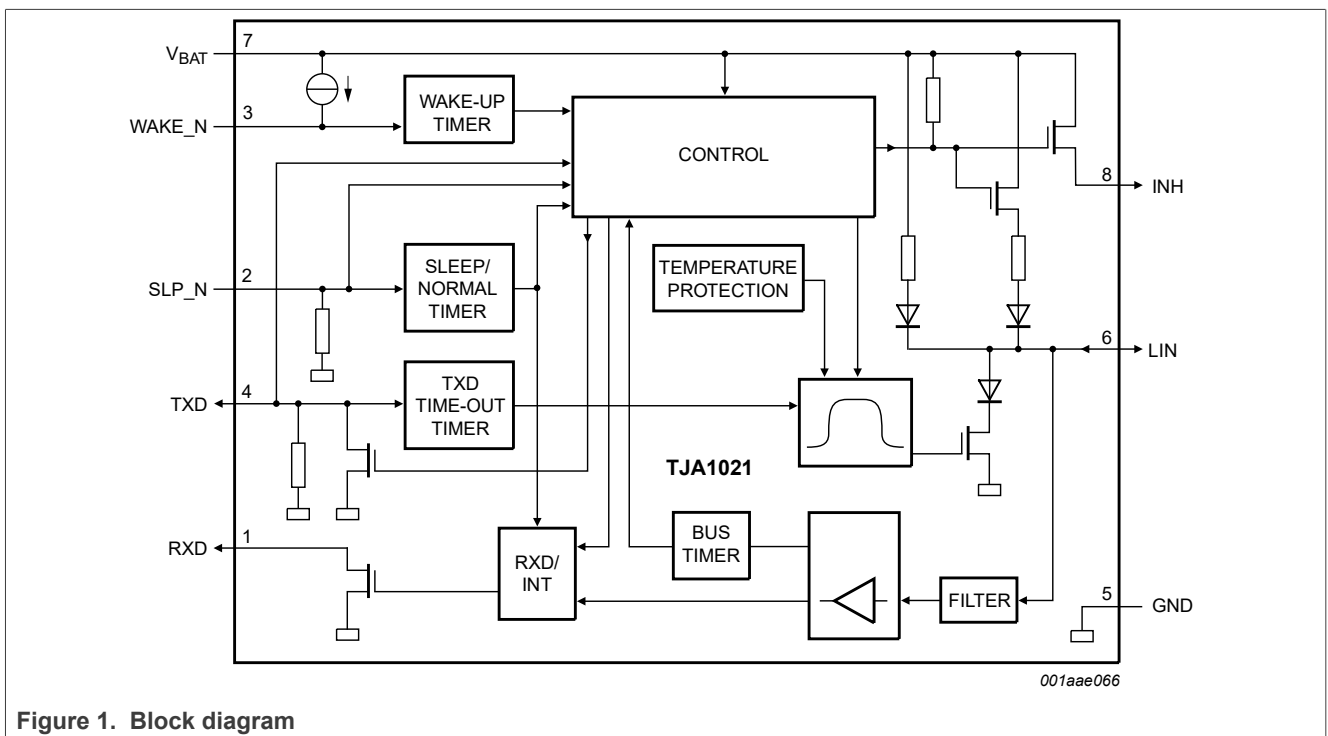
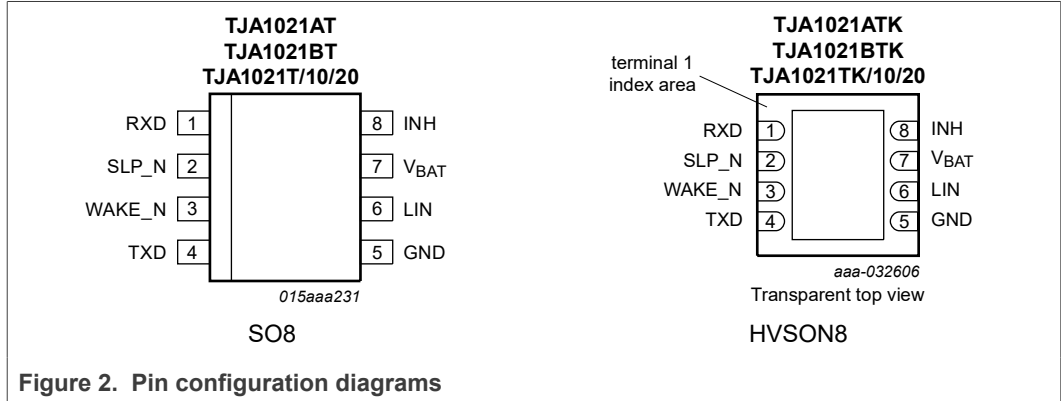


Figure 1. Block diagram

## 6 Pinning information

### 6.1 Pinning



### 6.2 Pin description

Table 3. Pin description

Symbol	Pin	Type <sup>[1]</sup>	Description
RXD	1	O	receive data output (open-drain); active LOW after a wake-up event
SLP_N	2	I	sleep control input (active LOW); controls inhibit output; resets wake-up source flag on TXD and wake-up request on RXD
WAKE_N	3	I	local wake-up input (active LOW); negative edge triggered
TXD	4	I	transmit data input; active LOW output after a local wake-up event
GND	5 <sup>[2]</sup>	G	ground
LIN	6	AIO	LIN bus line input/output
V <sub>BAT</sub>	7	P	battery supply voltage
INH	8	O	battery related inhibit output for controlling an external voltage regulator; active HIGH after a wake-up event

[1] I: digital input; O: digital output; AIO: analog input/output; P: power supply; G: ground.

[2] HVSON8 package die supply ground is connected to both the GND pin and the exposed center pad. The GND pin must be soldered to board ground. For enhanced thermal and electrical performance, it is recommended that the exposed center pad also be soldered to board ground.

## 7 Functional description

The TJA1021 is the interface between the LIN commander/responder protocol controller and the physical bus in a Local Interconnect Network (LIN). The TJA1021 is LIN 2.0, LIN 2.1, LIN 2.2, LIN 2.2A, SAE J2602 and ISO 17987-4:2016 (12 V) compliant and provides optimum ElectroMagnetic Compatibility (EMC) performance due to wave shaping of the LIN output.

The LIN physical layer is independent of higher OSI model layers (e.g., the LIN protocol). Consequently, nodes containing an ISO 17987-compliant physical layer can be combined, without restriction, with LIN physical layer nodes that comply with earlier revisions (LIN 1.0, LIN 1.1, LIN 1.2, LIN 1.3, LIN 2.0, LIN 2.1, LIN 2.2 and LIN 2.2A).

The TJA1021T(K)/20 and TJA1021B(K) are optimized for the maximum specified LIN transmission speed of 20 kBd; the TJA1021T(K)/10 and TJA1021AT(K) are optimized for the LIN transmission speed of 10.4 kBd as specified by the SAE J2602.

### 7.1 Operating modes

The TJA1021 supports modes for normal operation (Normal mode), power-up (Power-on mode) and very-low-power operation (Sleep mode). An intermediate wake-up mode between Sleep and Normal modes is also supported (Standby mode). [Figure 3](#) shows the state diagram.

Table 4. Operating modes

Mode	SLP_N	TXD (output)	RXD	INH	Transmitter	Remarks
Sleep mode	0	weak pull-down	floating	floating	off	no wake-up request detected
Standby <sup>[1]</sup> mode	0	weak pull-down if remote wake-up; strong pull-down if local wake-up <sup>[2]</sup>	LOW <sup>[3]</sup>	HIGH	off	wake-up request detected; in this mode the microcontroller can read the wake-up source: remote or local wake-up
Normal mode	1	HIGH: recessive state LOW: dominant state	HIGH: recessive state LOW: dominant state	HIGH	Normal mode	<sup>[2]</sup> <sup>[3]</sup> <sup>[4]</sup>
Power-on mode	0	weak pull-down	floating	HIGH	off	<sup>[5]</sup>

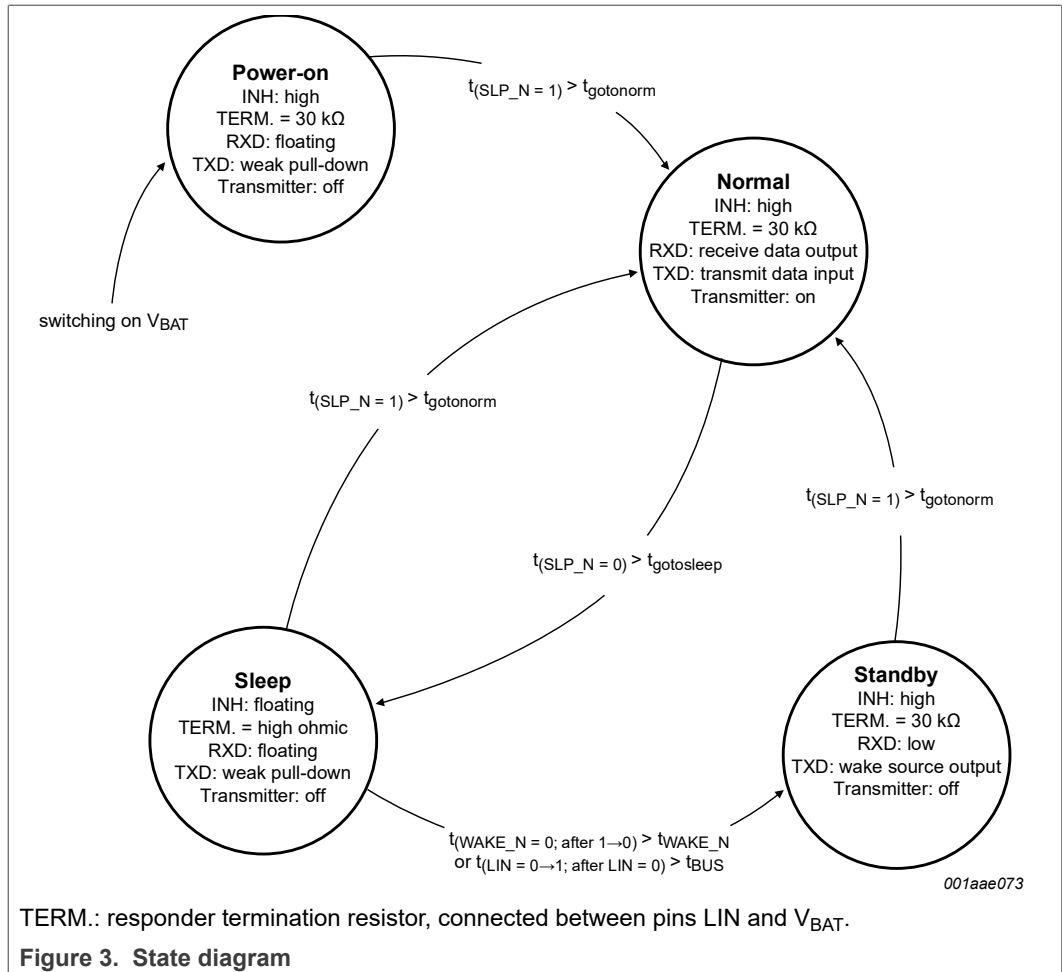
[1] Standby mode is entered automatically upon any local or remote wake-up event during Sleep mode. Pin INH and the 30 kΩ termination resistor at pin LIN are switched on.

[2] The internal wake-up source flag (set if a local wake-up did occur and fed to pin TXD) will be reset after a positive edge on pin SLP\_N.

[3] The wake-up interrupt (on pin RXD) is released after a positive edge on pin SLP\_N.

[4] Normal mode is entered after a positive edge on SLP\_N. As long as TXD is LOW, the transmitter is off. In the event of a short-circuit to ground on pin TXD, the transmitter will be disabled.

[5] Power-on mode is entered after switching on V<sub>BAT</sub>.



## 7.2 Sleep mode

This mode is the most power-saving mode of the TJA1021. Despite its extreme low current consumption, the TJA1021 can still be woken up remotely via pin LIN, or woken up locally via pin WAKE\_N, or activated directly via pin SLP\_N. Filters at the inputs of the receiver (LIN), of pin WAKE\_N and of pin SLP\_N prevent unwanted wake-up events due to automotive transients or EMI. All wake-up events must be maintained for a certain time period ( $t_{wake(dom)LIN}$ ,  $t_{wake(dom)WAKE\_N}$  and  $t_{gotonorm}$ ).

Sleep mode is initiated by a falling edge on pin SLP\_N in Normal mode. To enter Sleep mode successfully (INH becomes floating), the sleep command (pin SLP\_N = LOW) must be maintained for at least  $t_{gotosleep}$ .

In Sleep mode the internal responder termination between pins LIN and V<sub>BAT</sub> is disabled to minimize the power dissipation in the event that pin LIN is short-circuited to ground. Only a weak pull-up between pins LIN and V<sub>BAT</sub> is present.

Sleep mode can be activated independently from the actual level on pin LIN, pin TXD or pin WAKE\_N. This guarantees that the lowest power consumption is achievable even in case of a continuous dominant level on pin LIN or a continuous LOW on pin WAKE\_N.

When V<sub>BAT</sub> drops below the power-on-reset threshold  $V_{th(POR)L}$ , the TJA1021 enters Sleep mode.

### 7.3 Standby mode

Standby mode is entered automatically whenever a local or remote wake-up occurs while the TJA1021 is in Sleep mode. These wake-up events activate pin INH and enable the responder termination resistor at the pin LIN. As a result of the HIGH condition on pin INH the voltage regulator and the microcontroller can be activated.

Standby mode is signalled by a LOW-level on pin RXD which can be used as an interrupt for the microcontroller.

In Standby mode (pin SLP\_N is still LOW), the condition of pin TXD (weak pull-down or strong pull-down) indicates the wake-up source: weak pull-down for a remote wake-up request and strong pull-down for a local wake-up request.

Setting pin SLP\_N HIGH during Standby mode results in the following events:

- An immediate reset of the wake-up source flag; thus releasing the possible strong pull-down at pin TXD before the actual mode change (after  $t_{\text{gotonorm}}$ ) is performed
- A change into Normal mode if the HIGH level on pin SLP\_N has been maintained for a certain time period ( $t_{\text{gotonorm}}$ )
- An immediate reset of the wake-up request signal on pin RXD

### 7.4 Normal mode

In Normal mode the TJA1021 is able to transmit and receive data via the LIN bus line. The receiver detects the data stream at the LIN bus input pin and transfers it via pin RXD to the microcontroller (see [Figure 1](#)): HIGH at a recessive level and LOW at a dominant level on the bus. The receiver has a supply-voltage related threshold with hysteresis and an integrated filter to suppress bus line noise. The transmit data stream of the protocol controller at the TXD input is converted by the transmitter into a bus signal with optimized slew rate and wave shaping to minimize EME. The LIN bus output pin is pulled HIGH via an internal responder termination resistor. For a commander application an external resistor in series with a diode should be connected between pin INH or  $V_{\text{BAT}}$  on one side and pin LIN on the other side (see [Figure 7](#)).

When in Sleep, Standby or Power-up mode, the TJA1021 enters Normal mode whenever a HIGH level on pin SLP\_N is maintained for a time of at least  $t_{\text{gotonorm}}$ . The LIN transmit and receive functions are enabled after an initialization time,  $t_{\text{init(norm)}}$ .

The TJA1021 switches to Sleep mode in case of a LOW-level on pin SLP\_N, maintained for a time of at least  $t_{\text{gotosleep}}$ .

### 7.5 Wake-up

When  $V_{\text{BAT}}$  exceeds the power-on-reset threshold voltage  $V_{\text{th(POR)H}}$ , the TJA1021 enters Power-on mode. Though the TJA1021 is powered-up and INH is HIGH, both the transmitter and receiver are still inactive. If SLP\_N = 1 for  $t > t_{\text{gotonorm}}$ , the TJA1021 enters Normal mode.

There are three ways to wake-up a TJA1021 which is in Sleep mode:

1. Remote wake-up via a dominant bus state of at least  $t_{\text{wake(dom)LIN}}$
2. Local wake-up via a negative edge at pin WAKE\_N
3. Mode change (pin SLP\_N is HIGH) from Sleep mode to Normal mode

### 7.6 Remote and local wake-up

A falling edge at pin LIN followed by a LOW level maintained for a certain time period ( $t_{wake(dom)LIN}$ ) and a rising edge at pin LIN respectively (see Figure 4) results in a remote wake-up. It should be noted that the time period  $t_{wake(dom)LIN}$  is measured either in Normal mode while TXD is HIGH, or in Sleep mode irrespective of the status of pin TXD.

A falling edge at pin WAKE\_N followed by a LOW level maintained for a certain time period ( $t_{wake(dom)WAKE\_N}$ ) results in a local wake-up. The pin WAKE\_N provides an internal pull-up towards pin  $V_{BAT}$ . In order to prevent EMI issues, it is recommended to connect an unused pin WAKE\_N to pin  $V_{BAT}$ .

After a local or remote wake-up, pin INH is activated (it goes HIGH) and the internal responder termination resistor is switched on. The wake-up request is indicated by a LOW active wake-up request signal on pin RXD to interrupt the microcontroller.

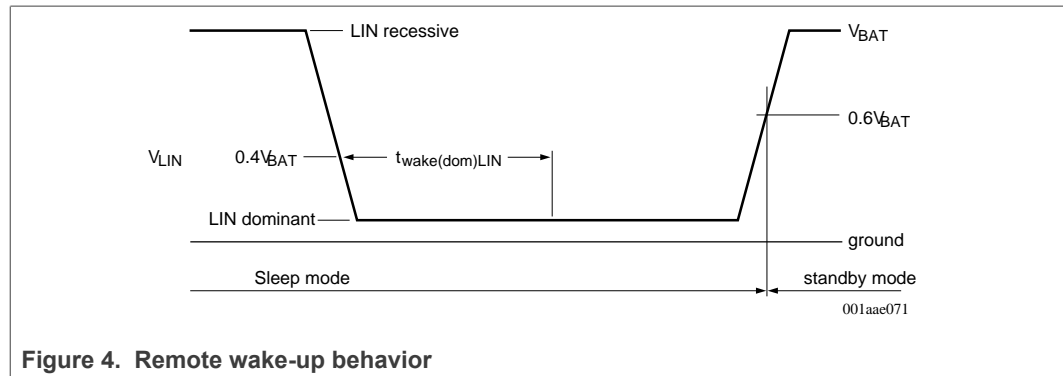


Figure 4. Remote wake-up behavior

### 7.7 Wake-up via mode transition

It is also possible to set pin INH HIGH with a mode transition towards Normal mode via pin SLP\_N. This is useful for applications with a continuously powered microcontroller.

### 7.8 Wake-up source recognition

The TJA1021 can distinguish between a local wake-up request on pin WAKE\_N and a remote wake-up request via a dominant bus state. A local wake-up request sets the wake-up source flag. The wake-up source can be read on pin TXD in the Standby mode. If an external pull-up resistor on pin TXD to the power supply voltage of the microcontroller has been added, a HIGH level indicates a remote wake-up request (weak pull-down at pin TXD) and a LOW level indicates a local wake-up request (strong pull-down at pin TXD; much stronger than the external pull-up resistor).

The wake-up request flag (signalled on pin RXD) as well as the wake-up source flag (signalled on pin TXD) are reset immediately after the microcontroller sets pin SLP\_N HIGH.

### 7.9 TXD dominant time-out function

A TXD dominant time-out timer circuit prevents the bus line from being driven to a permanent dominant state (blocking all network communication) if pin TXD is forced permanently LOW by a hardware and/or software application failure. The timer is triggered by a negative edge on pin TXD. If the duration of the LOW-level on pin TXD



exceeds the internal timer value ( $t_{to(dom)TXD}$ ), the transmitter is disabled, driving the bus line into a recessive state. The timer is reset by a positive edge on pin TXD.

## 7.10 Fail-safe features

Pin TXD provides a pull-down to GND in order to force a predefined level on input pin TXD in case the pin TXD is unsupplied.

Pin SLP\_N provides a pull-down to GND in order to force the transceiver into Sleep mode in case the pin SLP\_N is unsupplied.

Pin RXD is set floating in case of lost power supply on pin  $V_{BAT}$ .

The current of the transmitter output stage is limited in order to protect the transmitter against short circuit to pins  $V_{BAT}$  or GND.

A loss of power (pins  $V_{BAT}$  and GND) has no impact on the bus line and the microcontroller. There are no reverse currents from the bus. The LIN transceiver can be disconnected from the power supply without influencing the LIN bus.

The output driver at pin LIN is protected against overtemperature conditions. If the junction temperature exceeds the shutdown junction temperature  $T_{j(sd)}$ , the thermal protection circuit disables the output driver. The driver is enabled again when the junction temperature has dropped below  $T_{j(sd)}$  and a recessive level is present at pin TXD.

If  $V_{BAT}$  drops below  $V_{th(VBATL)L}$ , a protection circuit disables the output driver. The driver is enabled again when  $V_{BAT} > V_{th(VBATL)H}$  and a recessive level is present at pin TXD.

## 8 Limiting values

**Table 5. Limiting values**

In accordance with the Absolute Maximum Rating System (IEC 60134); all voltages are referenced to ground; positive currents flow into the IC.

Symbol	Parameter	Conditions	Min	Max	Unit
$V_{BAT}$	battery supply voltage <sup>[1]</sup>	with respect to GND	-0.3	+40	V
$V_{TXD}$	voltage on pin TXD <sup>[1]</sup>	$I_{TXD}$ no limitation	-0.3	+6	V
		$I_{TXD} < 500 \mu A$	-0.3	+7	V
$V_{RXD}$	voltage on pin RXD <sup>[1]</sup>	$I_{RXD}$ no limitation	-0.3	+6	V
		$I_{RXD} < 500 \mu A$	-0.3	+7	V
$V_{SLP\_N}$	voltage on pin SLP_N <sup>[1]</sup>	$I_{SLP\_N}$ no limitation	-0.3	+6	V
		$I_{SLP\_N} < 500 \mu A$	-0.3	+7	V
$V_{LIN}$	voltage on pin LIN <sup>[1]</sup>	with respect to GND, $V_{BAT}$ and $V_{WAKE\_N}$	-40	+40	V
$V_{WAKE\_N}$	voltage on pin WAKE_N <sup>[1]</sup>		-0.3	+40	V
$I_{WAKE\_N}$	current on pin WAKE_N	only relevant if $V_{WAKE\_N} < V_{GND} - 0.3$ current will flow into pin GND	-15	-	mA
$V_{INH}$	voltage on pin INH <sup>[1]</sup>		-0.3	$V_{BAT} + 0.3$	V
$I_{O(INH)}$	output current on pin INH		-50	+15	mA
$V_{trt}$	transient voltage	on pin $V_{BAT}$ via reverse polarity diode/capacitor; on pin LIN via 1 nF coupling capacitor <sup>[2]</sup>			
		pulse 1	-100	-	V
		pulse 2a	-	75	V
		pulse 3a	-150	-	V
		pulse 3b	-	100	V
$V_{ESD}$	electrostatic discharge voltage	IEC 61000-4-2 (150 pF, 330 $\Omega$ discharge circuit) <sup>[3]</sup>			
		on pins WAKE_N, LIN and $V_{BAT}$	-6	+6	kV
		Human Body Model (HBM)			
		on any pin <sup>[4]</sup>	-2	+2	kV
		on pins WAKE_N, LIN, $V_{BAT}$ and INH <sup>[5]</sup>	-8	-8	kV
		Machine Model (MM); 200 pF, 0.75 $\mu H$ , 10 $\Omega$ <sup>[6]</sup>			
		on any pin	-200	+200	V
Charged Device Model (CDM) <sup>[7]</sup>					
on any pin	-750	+750	V		
$T_{vj}$	virtual junction temperature		<sup>[8]</sup> -40	+150	$^{\circ}C$
$T_{stg}$	storage temperature		<sup>[9]</sup> -55	+150	$^{\circ}C$

[1] The device can sustain voltages up to the specified values over the product lifetime, provided applied voltages (including transients) never exceed these values.

[2] Verified by an external test house according to LIN Conformance Test Specification Package for LIN 2.1; parameters for standard pulses defined in ISO 7637.

- [3] Verified by an external test house according to LIN Conformance Test Specification Package for LIN 2.1.
- [4] According to AEC-Q100-002.
- [5] Pins stressed to reference group containing all ground and supply pins, emulating the application circuit (Figure 7). HBM pulse as specified in AEC-Q100-002 used.
- [6] According to AEC-Q100-003.
- [7] According to AEC-Q100-011.
- [8] In accordance with IEC 60747-1. An alternative definition of virtual junction temperature is:  $T_{vj} = T_{amb} + P \times R_{th(vj-a)}$ , where  $R_{th(vj-a)}$  is a fixed value to be used for the calculation of  $T_{vj}$ . The rating for  $T_{vj}$  limits the allowable combinations of power dissipation (P) and ambient temperature ( $T_{amb}$ ).
- [9]  $T_{sig}$  in application according to IEC61360-4. For component transport and storage conditions, see instead IEC61760-2.

## 9 Thermal characteristics

**Table 6. Thermal characteristics**

Value determined for free convection conditions on a JEDEC 2S2P board.

Symbol	Parameter	Conditions <sup>[1]</sup>	Typ	Unit
$R_{th(j-a)}$	thermal resistance from junction to ambient	SO8 package; in free air	93	K/W
		HVSON8 package; in free air	54	K/W
$R_{th(j-c)}$	thermal resistance from junction to case	HVSON8 package; in free air	15	K/W
$\Psi_{j-top}$	thermal characterization parameter from junction to top of package	SO8 package; in free air	13	K/W
		HVSON8 package; in free air	7	K/W

[1] According to JEDEC JESD51-2, JESD51-5 and JESD51-7 at natural convection on 2s2p board. Board with two inner copper layers (thickness: 35 µm) and thermal via array under the exposed pad connected to the first inner copper layer (thickness: 70 µm).

## 10 Static characteristics

**Table 7. Static characteristics**

$V_{BAT} = 5.5 V$  to  $27 V$ ;  $T_{vj} = -40\text{ °C}$  to  $+150\text{ °C}$ ;  $R_{L(LIN-VBAT)} = 500\ \Omega$ ; typical values are given at  $V_{BAT} = 12 V$  unless otherwise specified; all voltages are defined with respect to ground; positive currents flow into the IC.<sup>[1]</sup>

Symbol	Parameter	Conditions	Min	Typ	Max	Unit
<b>Supply</b>						
$I_{BAT}$	battery supply current	Sleep mode; $V_{LIN} = V_{BAT}$ ; $V_{WAKE\_N} = V_{BAT}$ ; $V_{TXD} = 0 V$ ; $V_{SLP\_N} = 0 V$	2	7	10	µA
		Standby mode; bus recessive; $V_{INH} = V_{BAT}$ ; $V_{LIN} = V_{BAT}$ ; $V_{WAKE\_N} = V_{BAT}$ ; $V_{TXD} = 0 V$ ; $V_{SLP\_N} = 0 V$	150	450	1000	µA
		Standby mode; bus dominant $V_{BAT} = 12 V$ ; $V_{INH} = 12 V$ ; $V_{LIN} = 0 V$ ; $V_{WAKE\_N} = 12 V$ ; $V_{TXD} = 0 V$ ; $V_{SLP\_N} = 0 V$	300	800	1200	µA
		Normal mode; bus recessive $V_{INH} = V_{BAT}$ ; $V_{LIN} = V_{BAT}$ ; $V_{WAKE\_N} = V_{BAT}$ ; $V_{TXD} = 5 V$ ; $V_{SLP\_N} = 5 V$	300	800	1600	µA
		Normal mode; bus dominant $V_{BAT} = 12 V$ ; $V_{INH} = 12 V$ ; $V_{WAKE\_N} = 12 V$ ; $V_{TXD} = 0 V$ ; $V_{SLP\_N} = 5 V$	1	2	4	mA

**Table 7. Static characteristics...continued**

$V_{BAT} = 5.5\text{ V to }27\text{ V}$ ;  $T_{vj} = -40\text{ }^{\circ}\text{C to }+150\text{ }^{\circ}\text{C}$ ;  $R_{L(LIN-VBAT)} = 500\ \Omega$ ; typical values are given at  $V_{BAT} = 12\text{ V}$  unless otherwise specified; all voltages are defined with respect to ground; positive currents flow into the IC.<sup>[1]</sup>

Symbol	Parameter	Conditions	Min	Typ	Max	Unit
<b>Power-on reset</b>						
$V_{th(POR)L}$	LOW-level power-on reset threshold voltage	power-on reset	1.6	3.1	3.9	V
$V_{th(POR)H}$	HIGH-level power-on reset threshold voltage		2.3	3.4	4.3	V
$V_{hys(POR)}$	power-on reset hysteresis voltage		0.05	0.3	1	V
$V_{th(VBATL)L}$	LOW-level $V_{BAT}$ LOW threshold voltage		3.9	4.4	4.7	V
$V_{th(VBATL)H}$	HIGH-level $V_{BAT}$ LOW threshold voltage		4.2	4.7	4.9	V
$V_{hys(VBATL)}$	$V_{BAT}$ LOW hysteresis voltage		0.05	0.3	1	V
<b>Pin TXD</b>						
$V_{IH}$	HIGH-level input voltage		2	-	7	V
$V_{IL}$	LOW-level input voltage		-0.3	-	+0.8	V
$V_{hys}$	hysteresis voltage		50	200	400	mV
$R_{PD(TXD)}$	pull-down resistance on pin TXD	$V_{TXD} = 5\text{ V}$	140	500	1200	k $\Omega$
$I_{IL}$	LOW-level input current	$V_{TXD} = 0\text{ V}$	-5	-	+5	$\mu\text{A}$
$I_{OL}$	LOW-level output current	local wake-up request Standby mode; $V_{WAKE\_N} = 0\text{ V}$ ; $V_{LIN} = V_{BAT}$ ; $V_{TXD} = 0.4\text{ V}$	1.5	-	-	mA
<b>Pin SLP_N</b>						
$V_{IH}$	HIGH-level input voltage		2	-	7	V
$V_{IL}$	LOW-level input voltage		-0.3	-	+0.8	V
$V_{hys}$	hysteresis voltage		50	200	400	mV
$R_{PD(SLP\_N)}$	pull-down resistance on pin SLP_N	$V_{SLP\_N} = 5\text{ V}$	140	500	1200	k $\Omega$
$I_{IL}$	LOW-level input current	$V_{SLP\_N} = 0\text{ V}$	-5	0	+5	$\mu\text{A}$
<b>Pin RXD (open-drain)</b>						
$I_{OL}$	LOW-level output current	Normal mode $V_{LIN} = 0\text{ V}$ ; $V_{RXD} = 0.4\text{ V}$	1.5	-	-	mA
$I_{LH}$	HIGH-level leakage current	Normal mode $V_{LIN} = V_{BAT}$ ; $V_{RXD} = 5\text{ V}$	-5	0	+5	$\mu\text{A}$
<b>Pin WAKE_N</b>						
$V_{IH}$	HIGH-level input voltage		$V_{BAT} - 1$	-	$V_{BAT} + 0.3$	V
$V_{IL}$	LOW-level input voltage		-0.3	-	$V_{BAT} - 3.3$	V
$I_{pu(L)}$	LOW-level pull-up current	$V_{WAKE\_N} = 0\text{ V}$	-30	-12	-1	$\mu\text{A}$

Table 7. Static characteristics...continued

$V_{BAT} = 5.5\text{ V to }27\text{ V}$ ;  $T_{vj} = -40\text{ °C to }+150\text{ °C}$ ;  $R_{L(LIN-VBAT)} = 500\ \Omega$ ; typical values are given at  $V_{BAT} = 12\text{ V}$  unless otherwise specified; all voltages are defined with respect to ground; positive currents flow into the IC.<sup>[1]</sup>

Symbol	Parameter	Conditions	Min	Typ	Max	Unit
$I_{LH}$	HIGH-level leakage current	$V_{WAKE\_N} = 27\text{ V}$ ; $V_{BAT} = 27\text{ V}$	-5	0	+5	$\mu\text{A}$
<b>Pin INH</b>						
$R_{sw(VBAT-INH)}$	switch-on resistance between pins $V_{BAT}$ and INH	Standby; Normal and Power-on modes; $I_{INH} = -15\text{ mA}$ ; $V_{BAT} = 12\text{ V}$	-	20	50	$\Omega$
$I_{LH}$	HIGH-level leakage current	Sleep mode $V_{INH} = 27\text{ V}$ ; $V_{BAT} = 27\text{ V}$	-5	0	+5	$\mu\text{A}$
<b>Pin LIN</b>						
$I_{BUS\_LIM}$	current limitation for driver dominant state	$V_{BAT} = 18\text{ V}$ ; $V_{LIN} = 18\text{ V}$ ; $V_{TXD} = 0\text{ V}$	40	-	100	mA
$R_{pu}$	pull-up resistance	Sleep mode; $V_{SLP\_N} = 0\text{ V}$	50	160	250	k $\Omega$
$I_{BUS\_PAS\_rec}$	receiver recessive input leakage current	$V_{LIN} = 27\text{ V}$ ; $V_{BAT} = 5.5\text{ V}$ ; $V_{TXD} = 5\text{ V}$	-	-	1	$\mu\text{A}$
$I_{BUS\_PAS\_dom}$	receiver dominant input leakage current including pull-up resistor	Normal mode; $V_{TXD} = 5\text{ V}$ ; $V_{LIN} = 0\text{ V}$ ; $V_{BAT} = 12\text{ V}$	-600	-	-	$\mu\text{A}$
$V_{SerDiode}$	voltage drop at the serial diode	in pull-up path with $R_{res}$ ; $I_{SerDiode} = 10\ \mu\text{A}$ <sup>[2]</sup>	0.4	-	1.0	V
$I_{BUS\_NO\_GND}$	loss-of-ground bus current	$V_{BAT} = 27\text{ V}$ ; $V_{LIN} = 0\text{ V}$	-750	-	+10	$\mu\text{A}$
$I_{BUS\_NO\_BAT}$	loss-of-battery bus current	$V_{BAT} = 0\text{ V}$ ; $V_{LIN} = 27\text{ V}$	-	-	1	$\mu\text{A}$
$V_{BUSdom}$	receiver dominant state		-	-	$0.4V_{BAT}$	V
$V_{BUSrec}$	receiver recessive state		$0.6V_{BAT}$	-	-	V
$V_{BUS\_CNT}$	receiver center voltage	$V_{BUS\_CNT} = (V_{BUSrec} + V_{BUSdom}) / 2$	$0.475V_{BAT}$	$0.5V_{BAT}$	$0.525V_{BAT}$	V
$V_{HYS}$	receiver hysteresis voltage	$V_{HYS} = V_{BUSrec} - V_{BUSdom}$	-	-	$0.175V_{BAT}$	V
$R_{res}$	responder resistance	connected between pins LIN and $V_{BAT}$ ; $V_{LIN} = 0\text{ V}$ ; $V_{BAT} = 12\text{ V}$	20	30	47	k $\Omega$
$C_{LIN}$	capacitance on pin LIN		-	-	30	pF
$V_{o(dom)}$	dominant output voltage	Normal mode; $V_{TXD} = 0\text{ V}$ ; $V_{BAT} = 7.0\text{ V}$	-	-	1.4	V
		Normal mode; $V_{TXD} = 0\text{ V}$ ; $V_{BAT} = 18\text{ V}$	-	-	2.0	V
<b>Thermal shutdown</b>						
$T_{j(sd)}$	shutdown junction temperature		<sup>[2]</sup> 150	175	200	$^{\circ}\text{C}$

[1] All parameters are guaranteed over the virtual junction temperature range by design. Factory testing uses correlated test conditions to cover the specified temperature and power supply voltage range.

[2] Not tested in production; guaranteed by design.

## 11 Dynamic characteristics

Table 8. Dynamic characteristics

$V_{BAT} = 5.5\text{ V to }18\text{ V}$ ;  $T_{vj} = -40\text{ °C to }+150\text{ °C}$ ;  $R_{L(LIN-VBAT)} = 500\ \Omega$ ; typical values are given at  $V_{BAT} = 12\text{ V}$ , see [Figure 6](#), unless otherwise specified; all voltages are defined with respect to ground.<sup>[1]</sup>

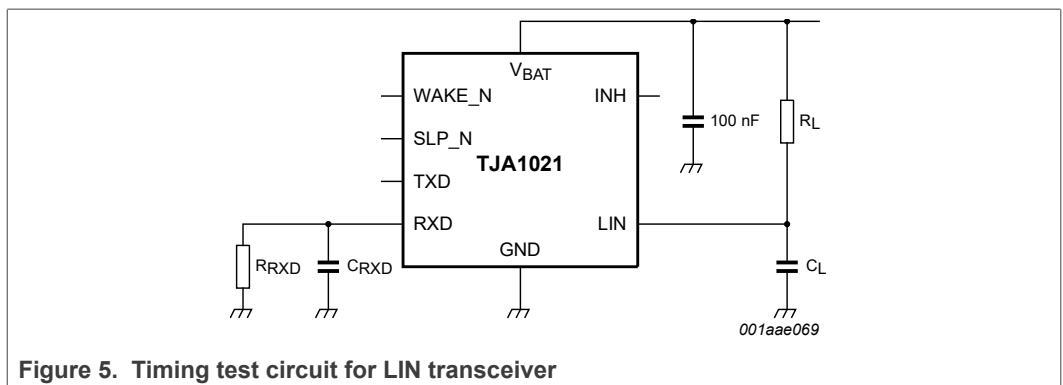
Symbol	Parameter	Conditions	Min	Typ	Max	Unit	
<b>Duty cycles</b>							
δ1	duty cycle 1	$V_{th(rec)(max)} = 0.744 \times V_{BAT}$ ; $V_{th(dom)(max)} = 0.581 \times V_{BAT}$ ; $t_{bit} = 50\ \mu\text{s}$ ; $V_{BAT} = 7\text{ V to }18\text{ V}$	[2][3][4][5]	0.396	-	-	
		$V_{th(rec)(max)} = 0.76 \times V_{BAT}$ ; $V_{th(dom)(max)} = 0.593 \times V_{BAT}$ ; $t_{bit} = 50\ \mu\text{s}$ ; $V_{BAT} = 5.5\text{ V to }7.0\text{ V}$	[2][3][4][5]	0.396	-	-	
δ2	duty cycle 2	$V_{th(rec)(min)} = 0.422 \times V_{BAT}$ ; $V_{th(dom)(min)} = 0.284 \times V_{BAT}$ ; $t_{bit} = 50\ \mu\text{s}$ ; $V_{BAT} = 7.6\text{ V to }18\text{ V}$	[2][4][6][5]	-	-	0.581	
		$V_{th(rec)(min)} = 0.41 \times V_{BAT}$ ; $V_{th(dom)(min)} = 0.275 \times V_{BAT}$ ; $t_{bit} = 50\ \mu\text{s}$ ; $V_{BAT} = 6.1\text{ V to }7.6\text{ V}$	[2][4][6][5]	-	-	0.581	
δ3	duty cycle 3	$V_{th(rec)(max)} = 0.778 \times V_{BAT}$ ; $V_{th(dom)(max)} = 0.616 \times V_{BAT}$ ; $t_{bit} = 96\ \mu\text{s}$ ; $V_{BAT} = 7\text{ V to }18\text{ V}$	[3][4][5]	0.417	-	-	
		$V_{th(rec)(max)} = 0.797 \times V_{BAT}$ ; $V_{th(dom)(max)} = 0.630 \times V_{BAT}$ ; $t_{bit} = 96\ \mu\text{s}$ ; $V_{BAT} = 5.5\text{ V to }7\text{ V}$	[3][4][5]	0.417	-	-	
δ4	duty cycle 4	$V_{th(rec)(min)} = 0.389 \times V_{BAT}$ ; $V_{th(dom)(min)} = 0.251 \times V_{BAT}$ ; $t_{bit} = 96\ \mu\text{s}$ ; $V_{BAT} = 7.6\text{ V to }18\text{ V}$	[4][6][5]	-	-	0.590	
		$V_{th(rec)(min)} = 0.378 \times V_{BAT}$ ; $V_{th(dom)(min)} = 0.242 \times V_{BAT}$ ; $t_{bit} = 96\ \mu\text{s}$ ; $V_{BAT} = 6.1\text{ V to }7.6\text{ V}$	[4][6][5]	-	-	0.590	
<b>Timing characteristics</b>							
$t_f$	fall time		[2][4]	-	-	22.5	μs
$t_r$	rise time		[2][4]	-	-	22.5	μs
$\Delta t_{(r-f)}$	difference between rise and fall time	$V_{BAT} = 7.3\text{ V}$	[2][4]	-5	-	+5	μs
$t_{tx\_pd}$	transmitter propagation delay	rising and falling	[2]	-	-	6	μs
$t_{tx\_sym}$	transmitter propagation delay symmetry		[2]	-2.5	-	+2.5	μs
$t_{rx\_pd}$	receiver propagation delay	rising and falling	[7]	-	-	6	μs
$t_{rx\_sym}$	receiver propagation delay symmetry		[7]	-2	-	+2	μs
$t_{wake(dom)LIN}$	LIN dominant wake-up time	Sleep mode	[8]	30	80	150	μs

**Table 8. Dynamic characteristics...continued**

$V_{BAT} = 5.5\text{ V to }18\text{ V}$ ;  $T_{vj} = -40\text{ }^{\circ}\text{C to }+150\text{ }^{\circ}\text{C}$ ;  $R_{L(LIN-VBAT)} = 500\ \Omega$ ; typical values are given at  $V_{BAT} = 12\text{ V}$ , see [Figure 6](#), unless otherwise specified; all voltages are defined with respect to ground.<sup>[1]</sup>

Symbol	Parameter	Conditions	Min	Typ	Max	Unit
$t_{wake(dom)WAKE\_N}$	dominant wake-up time on pin WAKE_N	Sleep mode	[9] 7	30	50	$\mu\text{s}$
$t_{gotonorm}$	go to normal time	time period for mode change from Sleep, Power-on or Standby mode to Normal mode	[10] 2	5	10	$\mu\text{s}$
$t_{init(norm)}$	normal mode initialization time		[11] 5	-	20	$\mu\text{s}$
$t_{gotosleep}$	go to sleep time	time period for mode change from Normal mode to Sleep mode	[10] 2	5	10	$\mu\text{s}$
$t_{to(dom)TXD}$	TXD dominant time-out time	$V_{TXD} = 0\text{ V}$	[12] 27	55	90	ms

- [1] All parameters are guaranteed over the virtual junction temperature range by design. Factory testing uses correlated test conditions to cover the specified temperature and power supply voltage range.
- [2] Not applicable for the /10 or A variants of the TJA1021.
- [3]  $\delta 1, \delta 3 = \frac{t_{bus(rec)(min)}}{2 \times t_{bit}}$ . Variable  $t_{bus(rec)(min)}$  is illustrated in the LIN timing diagram in [Figure 6](#).
- [4] Bus load conditions are:  $C_{BUS} = 1\text{ nF}$  and  $R_{BUS} = 1\text{ k}\Omega$ ;  $C_{BUS} = 6.8\text{ nF}$  and  $R_{BUS} = 660\ \Omega$ ;  $C_{BUS} = 10\text{ nF}$  and  $R_{BUS} = 500\ \Omega$ .
- [5] For  $V_{BAT} > 18\text{ V}$  the LIN transmitter might be suppressed. If TXD is HIGH then the LIN transmitter output is recessive.
- [6]  $\delta 2, \delta 4 = \frac{t_{bus(rec)(max)}}{2 \times t_{bit}}$ . Variable  $t_{bus(rec)(max)}$  is illustrated in the LIN timing diagram in [Figure 6](#).
- [7] Load condition pin RXD:  $C_{RXD} = 20\text{ pF}$  and  $R_{RXD} = 2.4\text{ k}\Omega$ .
- [8] A falling edge on pin LIN, followed by LOW level of least  $t_{max}$ , followed by a rising edge on pin LIN is guaranteed to trigger a remote wake-up (see [Section 7.6](#)). A LOW level of less than  $t_{min}$  will not trigger a wake-up event.
- [9] A falling edge on pin WAKE\_N, followed by a LOW level of least  $t_{max}$  is guaranteed to trigger a local wake-up ([Section 7.6](#)). A LOW level of less than  $t_{min}$  will not trigger a wake-up event.
- [10] Mode change is guaranteed to have been completed after  $t_{max}$  and will not be completed before  $t_{min}$ .
- [11] LIN transmit and receive functions are guaranteed to have been enabled after  $t_{max}$  and will not be enabled before  $t_{min}$ .
- [12] Time-out is guaranteed to have been triggered after  $t_{max}$  and will not be triggered before  $t_{min}$ .



**Figure 5. Timing test circuit for LIN transceiver**

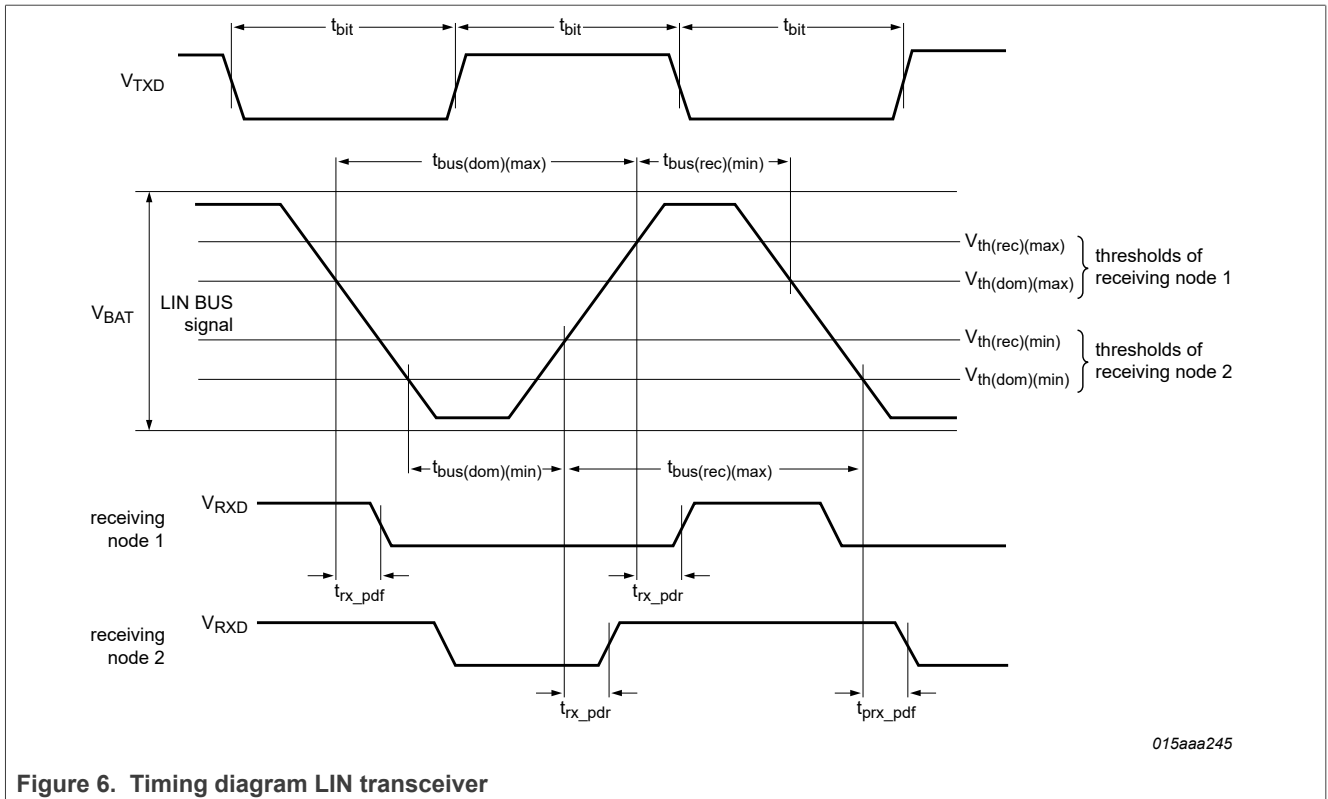
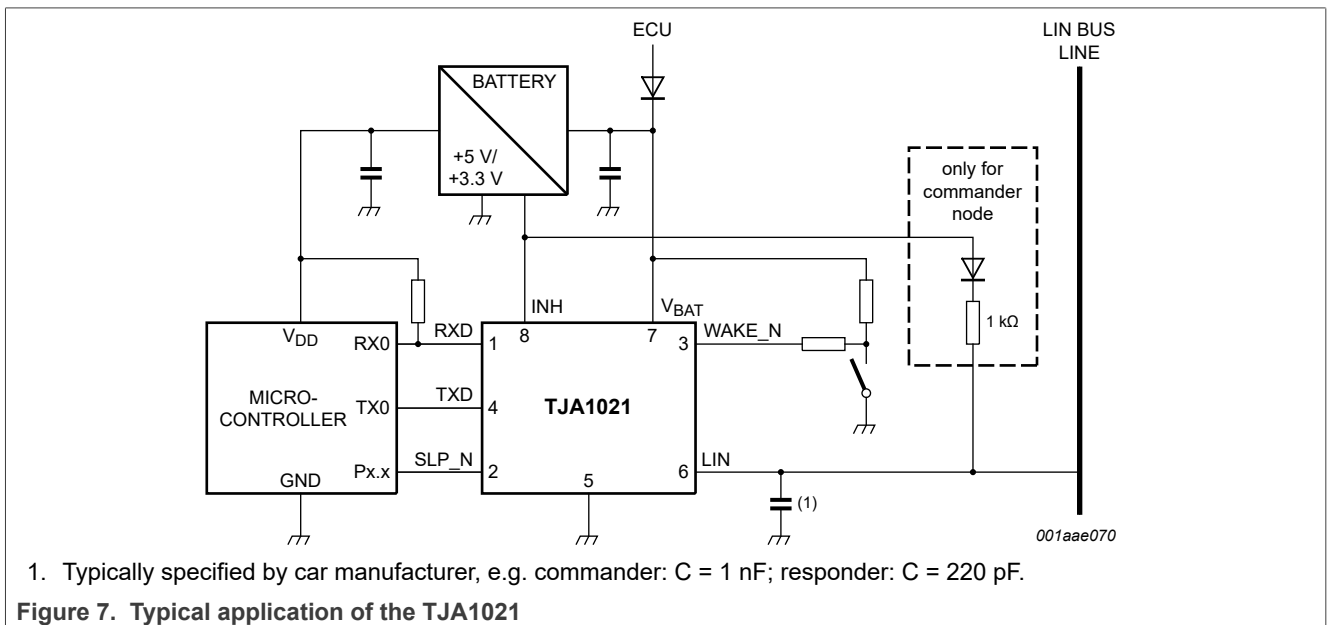


Figure 6. Timing diagram LIN transceiver

## 12 Application information

The minimum external circuitry needed with the TJA1021 is shown in [Figure 7](#). See the Application Hints ([Section 12.1](#)) for further information about external components and PCB layout requirements.





## 12.1 Application hints

Further information on the application of the TJA1021 can be found in NXP application hints *AH1103 Application Hints - LIN transceiver TJA1021/TJA1022/TJA1024/TJA1027/TJA1029*.

## 13 Quality information

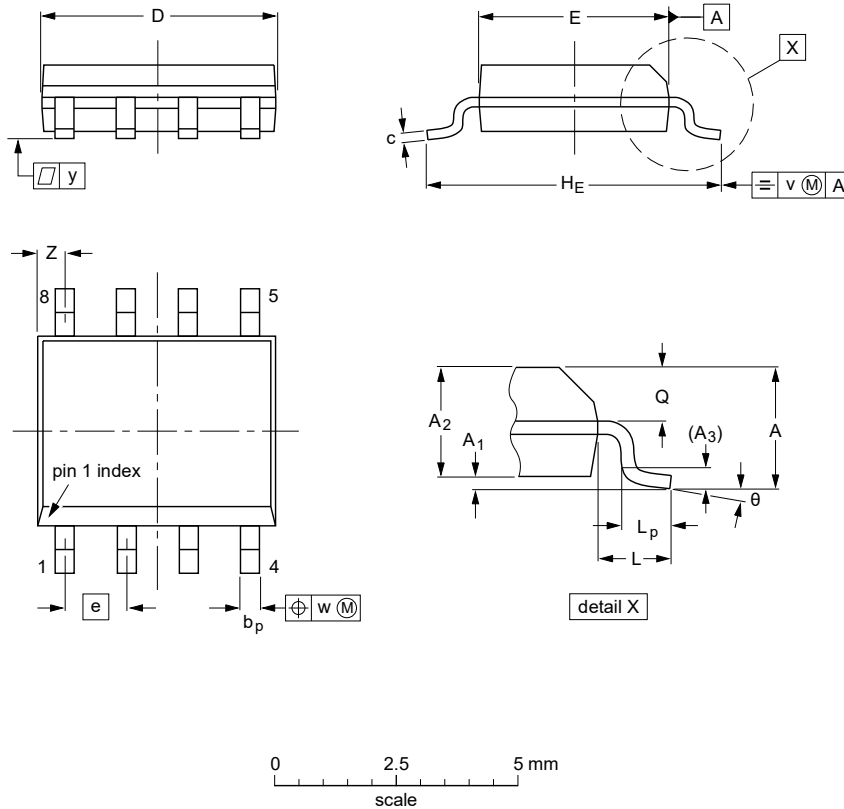
---

This product has been qualified in accordance with the Automotive Electronics Council (AEC) standard *Q100 Rev-G - Failure mechanism based stress test qualification for integrated circuits*, and is suitable for use in automotive applications.

14 Package outline

SO8: plastic small outline package; 8 leads; body width 3.9 mm

SOT96-1



DIMENSIONS (inch dimensions are derived from the original mm dimensions)

UNIT	A max.	A <sub>1</sub>	A <sub>2</sub>	A <sub>3</sub>	b <sub>p</sub>	c	D <sup>(1)</sup>	E <sup>(2)</sup>	e	H <sub>E</sub>	L	L <sub>p</sub>	Q	v	w	y	Z <sup>(1)</sup>	θ
mm	1.75	0.25 0.10	1.45 1.25	0.25	0.49 0.36	0.25 0.19	5.0 4.8	4.0 3.8	1.27	6.2 5.8	1.05	1.0 0.4	0.7 0.6	0.25	0.25	0.1	0.7 0.3	8° 0°
inches	0.069	0.010 0.004	0.057 0.049	0.01	0.019 0.014	0.0100 0.0075	0.20 0.19	0.16 0.15	0.05	0.244 0.228	0.041	0.039 0.016	0.028 0.024	0.01	0.01	0.004	0.028 0.012	

Notes

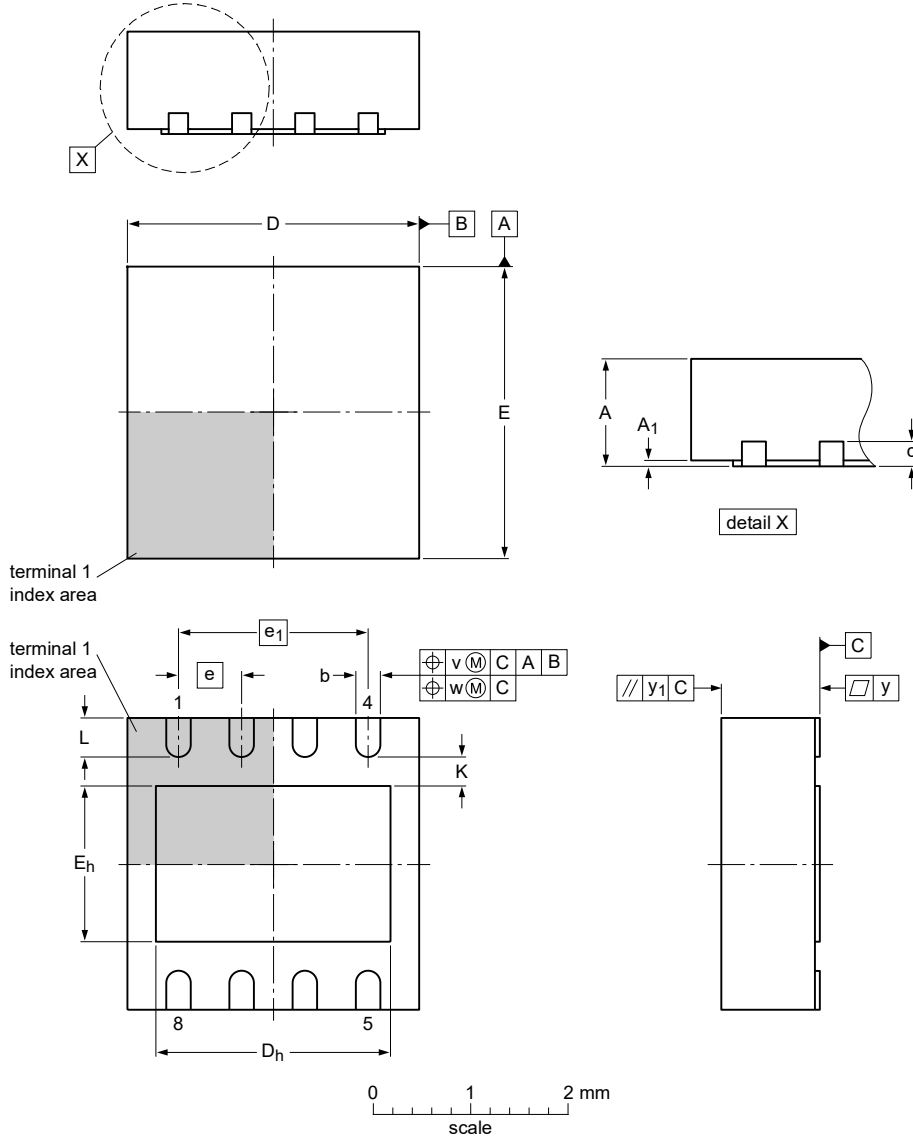
1. Plastic or metal protrusions of 0.15 mm (0.006 inch) maximum per side are not included.
2. Plastic or metal protrusions of 0.25 mm (0.01 inch) maximum per side are not included.

OUTLINE VERSION	REFERENCES			EUROPEAN PROJECTION	ISSUE DATE
	IEC	JEDEC	JEITA		
SOT96-1	076E03	MS-012			99-12-27 03-02-18

Figure 8. Package outline SOT96-1 (SO8)

HVSON8: plastic thermal enhanced very thin small outline package; no leads;  
8 terminals; body 3 x 3 x 0.85 mm

SOT782-1



Dimensions

Unit <sup>(1)</sup>	A	A <sub>1</sub>	b	c	D	D <sub>h</sub>	E	E <sub>h</sub>	e	e <sub>1</sub>	K	L	v	w	y	y <sub>1</sub>
max	1.00	0.05	0.35		3.10	2.45	3.10	1.65			0.35	0.45				
mm nom	0.85	0.03	0.30	0.2	3.00	2.40	3.00	1.60	0.65	1.95	0.30	0.40	0.1	0.05	0.05	0.1
min	0.80	0.00	0.25		2.90	2.35	2.90	1.55			0.25	0.35				

Note

1. Plastic or metal protrusions of 0.075 maximum per side are not included.

sot782-1\_po

Outline version	References				European projection	Issue date
	IEC	JEDEC	JEITA			
SOT782-1	---	MO-229	---			09-08-25- 09-08-28

Figure 9. Package outline SOT782-1 (HVSON8)

## 15 Handling information

All input and output pins are protected against ElectroStatic Discharge (ESD) under normal handling. When handling ensure that the appropriate precautions are taken as described in *JESD625-A* or equivalent standards.

## 16 Soldering of SMD packages

This text provides a very brief insight into a complex technology. A more in-depth account of soldering ICs can be found in Application Note *AN10365 "Surface mount reflow soldering description"*.

### 16.1 Introduction to soldering

Soldering is one of the most common methods through which packages are attached to Printed Circuit Boards (PCBs), to form electrical circuits. The soldered joint provides both the mechanical and the electrical connection. There is no single soldering method that is ideal for all IC packages. Wave soldering is often preferred when through-hole and Surface Mount Devices (SMDs) are mixed on one printed wiring board; however, it is not suitable for fine pitch SMDs. Reflow soldering is ideal for the small pitches and high densities that come with increased miniaturization.

### 16.2 Wave and reflow soldering

Wave soldering is a joining technology in which the joints are made by solder coming from a standing wave of liquid solder. The wave soldering process is suitable for the following:

- Through-hole components
- Leaded or leadless SMDs, which are glued to the surface of the printed circuit board

Not all SMDs can be wave soldered. Packages with solder balls, and some leadless packages which have solder lands underneath the body, cannot be wave soldered. Also, leaded SMDs with leads having a pitch smaller than ~0.6 mm cannot be wave soldered, due to an increased probability of bridging.

The reflow soldering process involves applying solder paste to a board, followed by component placement and exposure to a temperature profile. Leaded packages, packages with solder balls, and leadless packages are all reflow solderable.

Key characteristics in both wave and reflow soldering are:

- Board specifications, including the board finish, solder masks and vias
- Package footprints, including solder thieves and orientation
- The moisture sensitivity level of the packages
- Package placement
- Inspection and repair
- Lead-free soldering versus SnPb soldering

### 16.3 Wave soldering

Key characteristics in wave soldering are:

- Process issues, such as application of adhesive and flux, clinching of leads, board transport, the solder wave parameters, and the time during which components are exposed to the wave
- Solder bath specifications, including temperature and impurities

### 16.4 Reflow soldering

Key characteristics in reflow soldering are:

- Lead-free versus SnPb soldering; note that a lead-free reflow process usually leads to higher minimum peak temperatures (see [Figure 10](#)) than a SnPb process, thus reducing the process window
- Solder paste printing issues including smearing, release, and adjusting the process window for a mix of large and small components on one board
- Reflow temperature profile; this profile includes preheat, reflow (in which the board is heated to the peak temperature) and cooling down. It is imperative that the peak temperature is high enough for the solder to make reliable solder joints (a solder paste characteristic). In addition, the peak temperature must be low enough that the packages and/or boards are not damaged. The peak temperature of the package depends on package thickness and volume and is classified in accordance with [Table 9](#) and [Table 10](#)

Table 9. SnPb eutectic process (from J-STD-020D)

Package thickness (mm)	Package reflow temperature (°C)	
	Volume (mm <sup>3</sup> )	
	< 350	≥ 350
< 2.5	235	220
≥ 2.5	220	220

Table 10. Lead-free process (from J-STD-020D)

Package thickness (mm)	Package reflow temperature (°C)		
	Volume (mm <sup>3</sup> )		
	< 350	350 to 2000	> 2000
< 1.6	260	260	260
1.6 to 2.5	260	250	245
> 2.5	250	245	245

Moisture sensitivity precautions, as indicated on the packing, must be respected at all times.

Studies have shown that small packages reach higher temperatures during reflow soldering, see [Figure 10](#).

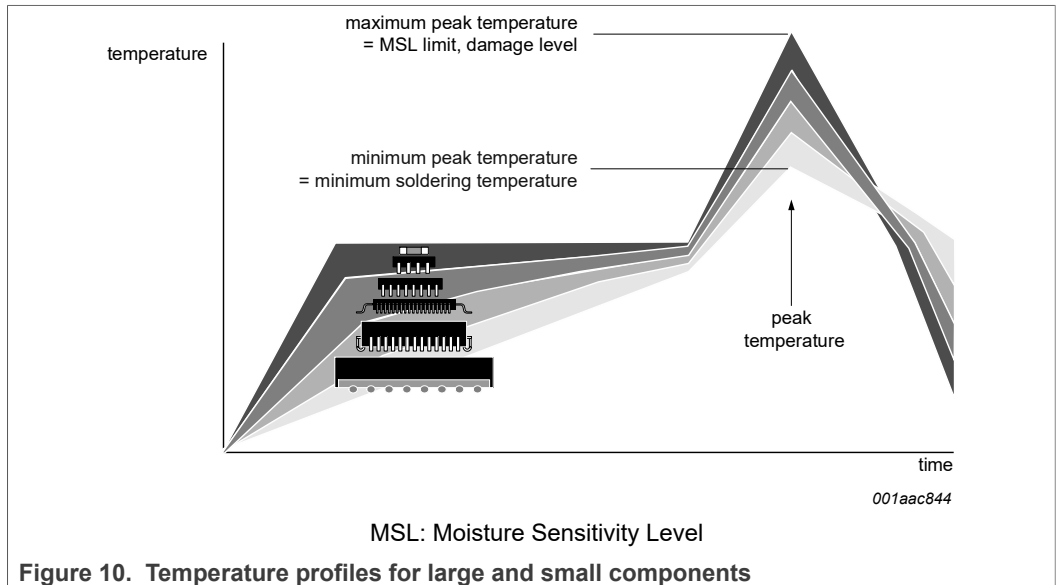


Figure 10. Temperature profiles for large and small components

For further information on temperature profiles, refer to Application Note AN10365 “Surface mount reflow soldering description”.

## 17 Revision history

Table 11. Revision history

Document ID	Release date	Data sheet status	Change notice	Supersedes
TJA1021 v.9	20230210	Product data sheet		TJA1021 v.8
Modifications:	<ul style="list-style-type: none"> <li>• Added variants TJA1021AT(K) and TJA1021BT(K)</li> <li>• 'master/slave' replaced by 'commander/responder' throughout document</li> <li>• <a href="#">Table 3</a>: added pin type column</li> <li>• <a href="#">Table 5</a>: format and footnotes revised; <math>V_{tt}</math>, transient voltage specification, added</li> <li>• <a href="#">Table 6</a>: parameter definitions and specifications updated</li> <li>• <a href="#">Table 8</a>: footnotes added</li> <li>• <a href="#">Section 12</a>: : introductory paragraph added</li> <li>• <a href="#">Section 12.1</a>: added</li> <li>• <a href="#">Section 13</a>: updated</li> <li>• <a href="#">Section 18</a>: legal information updated</li> </ul>			
TJA1021 v.8	20181218	Product data sheet	-	TJA1021 v.7
TJA1021 v.7	20110325	Product data sheet	-	TJA1021 v.6
TJA1021 v.6	20101230	Product data sheet	-	TJA1021 v.5
TJA1021 v.5	20091022	Product data sheet	-	TJA1021 v.4
TJA1021 v.4	20090119	Product data sheet	-	TJA1021 v.3
TJA1021 v.3	20071008	Product data sheet	-	TJA1021 v.2
TJA1021 v.2	20070903	Preliminary data sheet	-	TJA1021 v.1
TJA1021 v.1	20061016	Objective data sheet	-	-

## 18 Legal information

### 18.1 Data sheet status

Document status <sup>[1][2]</sup>	Product status <sup>[3]</sup>	Definition
Objective [short] data sheet	Development	This document contains data from the objective specification for product development.
Preliminary [short] data sheet	Qualification	This document contains data from the preliminary specification.
Product [short] data sheet	Production	This document contains the product specification.

[1] Please consult the most recently issued document before initiating or completing a design.

[2] The term 'short data sheet' is explained in section "Definitions".

[3] The product status of device(s) described in this document may have changed since this document was published and may differ in case of multiple devices. The latest product status information is available on the Internet at URL <http://www.nxp.com>.

### 18.2 Definitions

**Draft** — A draft status on a document indicates that the content is still under internal review and subject to formal approval, which may result in modifications or additions. NXP Semiconductors does not give any representations or warranties as to the accuracy or completeness of information included in a draft version of a document and shall have no liability for the consequences of use of such information.

**Short data sheet** — A short data sheet is an extract from a full data sheet with the same product type number(s) and title. A short data sheet is intended for quick reference only and should not be relied upon to contain detailed and full information. For detailed and full information see the relevant full data sheet, which is available on request via the local NXP Semiconductors sales office. In case of any inconsistency or conflict with the short data sheet, the full data sheet shall prevail.

**Product specification** — The information and data provided in a Product data sheet shall define the specification of the product as agreed between NXP Semiconductors and its customer, unless NXP Semiconductors and customer have explicitly agreed otherwise in writing. In no event however, shall an agreement be valid in which the NXP Semiconductors product is deemed to offer functions and qualities beyond those described in the Product data sheet.

### 18.3 Disclaimers

**Limited warranty and liability** — Information in this document is believed to be accurate and reliable. However, NXP Semiconductors does not give any representations or warranties, expressed or implied, as to the accuracy or completeness of such information and shall have no liability for the consequences of use of such information. NXP Semiconductors takes no responsibility for the content in this document if provided by an information source outside of NXP Semiconductors.

In no event shall NXP Semiconductors be liable for any indirect, incidental, punitive, special or consequential damages (including - without limitation - lost profits, lost savings, business interruption, costs related to the removal or replacement of any products or rework charges) whether or not such damages are based on tort (including negligence), warranty, breach of contract or any other legal theory.

Notwithstanding any damages that customer might incur for any reason whatsoever, NXP Semiconductors' aggregate and cumulative liability towards customer for the products described herein shall be limited in accordance with the Terms and conditions of commercial sale of NXP Semiconductors.

**Right to make changes** — NXP Semiconductors reserves the right to make changes to information published in this document, including without limitation specifications and product descriptions, at any time and without notice. This document supersedes and replaces all information supplied prior to the publication hereof.

**Applications** — Applications that are described herein for any of these products are for illustrative purposes only. NXP Semiconductors makes no representation or warranty that such applications will be suitable for the specified use without further testing or modification.

Customers are responsible for the design and operation of their applications and products using NXP Semiconductors products, and NXP Semiconductors accepts no liability for any assistance with applications or customer product design. It is customer's sole responsibility to determine whether the NXP Semiconductors product is suitable and fit for the customer's applications and products planned, as well as for the planned application and use of customer's third party customer(s). Customers should provide appropriate design and operating safeguards to minimize the risks associated with their applications and products.

NXP Semiconductors does not accept any liability related to any default, damage, costs or problem which is based on any weakness or default in the customer's applications or products, or the application or use by customer's third party customer(s). Customer is responsible for doing all necessary testing for the customer's applications and products using NXP Semiconductors products in order to avoid a default of the applications and the products or of the application or use by customer's third party customer(s). NXP does not accept any liability in this respect.

**Limiting values** — Stress above one or more limiting values (as defined in the Absolute Maximum Ratings System of IEC 60134) will cause permanent damage to the device. Limiting values are stress ratings only and (proper) operation of the device at these or any other conditions above those given in the Recommended operating conditions section (if present) or the Characteristics sections of this document is not warranted. Constant or repeated exposure to limiting values will permanently and irreversibly affect the quality and reliability of the device.

**Terms and conditions of commercial sale** — NXP Semiconductors products are sold subject to the general terms and conditions of commercial sale, as published at <http://www.nxp.com/profile/terms>, unless otherwise agreed in a valid written individual agreement. In case an individual agreement is concluded only the terms and conditions of the respective agreement shall apply. NXP Semiconductors hereby expressly objects to applying the customer's general terms and conditions with regard to the purchase of NXP Semiconductors products by customer.

**No offer to sell or license** — Nothing in this document may be interpreted or construed as an offer to sell products that is open for acceptance or the grant, conveyance or implication of any license under any copyrights, patents or other industrial or intellectual property rights.

**Suitability for use in automotive applications** — This NXP product has been qualified for use in automotive applications. If this product is used by customer in the development of, or for incorporation into, products or services (a) used in safety critical applications or (b) in which failure could lead to death, personal injury, or severe physical or environmental damage (such products and services hereinafter referred to as “Critical Applications”), then customer makes the ultimate design decisions regarding its products and is solely responsible for compliance with all legal, regulatory, safety, and security related requirements concerning its products, regardless of any information or support that may be provided by NXP. As such, customer assumes all risk related to use of any products in Critical Applications and NXP and its suppliers shall not be liable for any such use by customer. Accordingly, customer will indemnify and hold NXP harmless from any claims, liabilities, damages and associated costs and expenses (including attorneys’ fees) that NXP may incur related to customer’s incorporation of any product in a Critical Application.

**Quick reference data** — The Quick reference data is an extract of the product data given in the Limiting values and Characteristics sections of this document, and as such is not complete, exhaustive or legally binding.

**Export control** — This document as well as the item(s) described herein may be subject to export control regulations. Export might require a prior authorization from competent authorities.

**Translations** — A non-English (translated) version of a document, including the legal information in that document, is for reference only. The English version shall prevail in case of any discrepancy between the translated and English versions.

**Security** — Customer understands that all NXP products may be subject to unidentified vulnerabilities or may support established security standards or specifications with known limitations. Customer is responsible for the design and operation of its applications and products throughout their lifecycles to reduce the effect of these vulnerabilities on customer’s applications and products. Customer’s responsibility also extends to other open and/or proprietary technologies supported by NXP products for use in customer’s applications. NXP accepts no liability for any vulnerability. Customer should regularly check security updates from NXP and follow up appropriately. Customer shall select products with security features that best meet rules, regulations, and standards of the intended application and make the ultimate design decisions regarding its products and is solely responsible for compliance with all legal, regulatory, and security related requirements concerning its products, regardless of any information or support that may be provided by NXP.

NXP has a Product Security Incident Response Team (PSIRT) (reachable at [PSIRT@nxp.com](mailto:PSIRT@nxp.com)) that manages the investigation, reporting, and solution release to security vulnerabilities of NXP products.

## 18.4 Trademarks

Notice: All referenced brands, product names, service names, and trademarks are the property of their respective owners.

**NXP** — wordmark and logo are trademarks of NXP B.V.